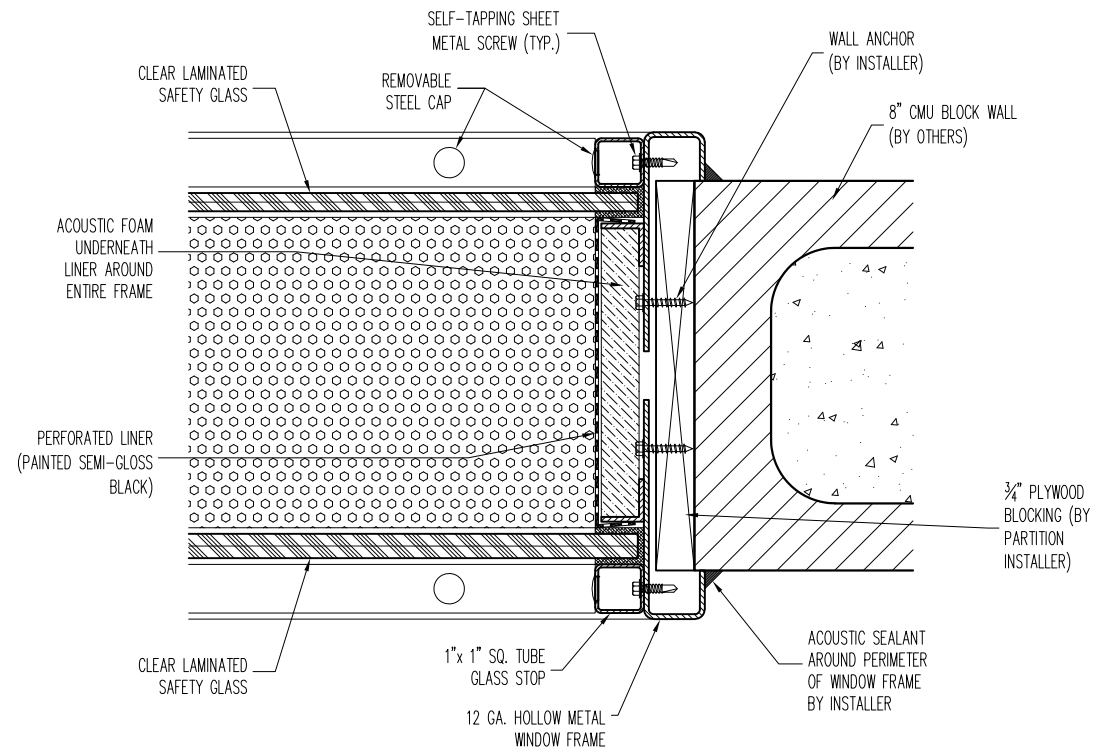
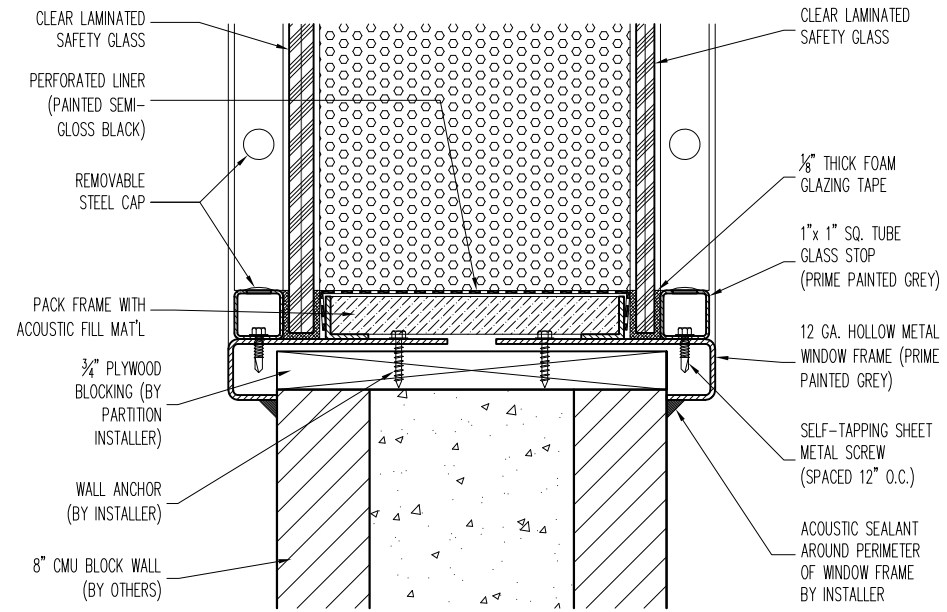


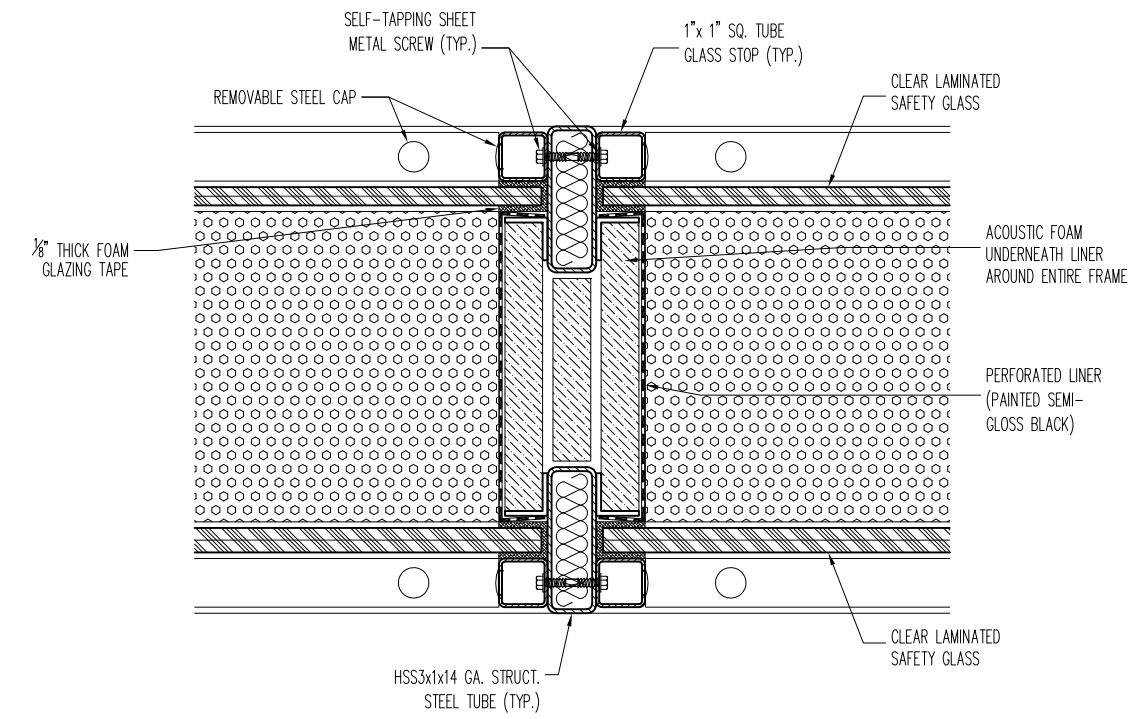
1
WS-2 ACOUSTIC WINDOW - HEAD DETAIL



2
WS-2 ACOUSTIC WINDOW - JAMB DETAIL



3
WS-2 ACOUSTIC WINDOW - SILL DETAIL



4
WS-2 ACOUSTIC WINDOW - MULLION DETAIL

QUIETLITE SPLIT-FRAME ACOUSTIC WINDOW

PROPRIETARY
THIS DESIGN AND DRAWING IS THE EXCLUSIVE PROPERTY OF NOISE BARRIERS AND IS SUBMITTED AS CONFIDENTIAL INFORMATION IN CONNECTION WITH YOUR INQUIRY. IT MUST NOT BE USED FOR ANY OTHER PURPOSES, NOR CAN IT BE COPIED OR LOANED WITHOUT WRITTEN PERMISSION. UPON REQUEST IT MUST BE RETURNED IMMEDIATELY.

REVISIONS	DESCRIPTION	DATE	BY

DESCRIPTION		
QUIETLITE SPLIT-FRAME ACOUSTIC WINDOW		
CUSTOMER		
DRAWN BY	PRJ. MGR.	PROJECT NO.
DATE	SHEET	WS-2

NOISE BARRIERS
401 AIRPORT DRIVE
NORTH AURORA, IL 60532
Phone: (847) 843-0500
Fax: (847) 843-0501
www.noisebarriers.com