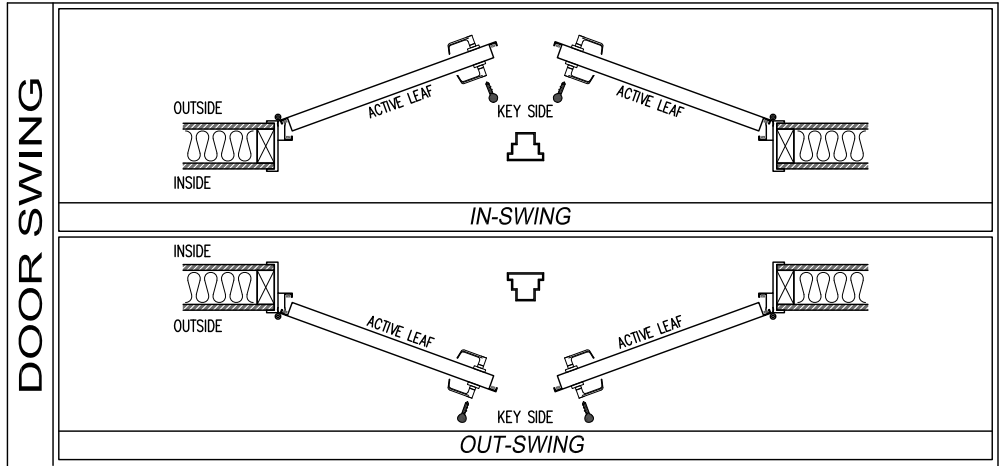
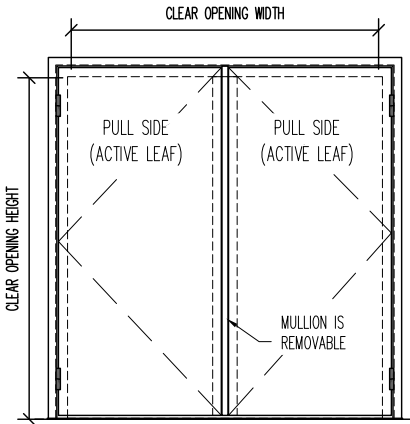


PROJECT NAME: \_\_\_\_\_ CUSTOMER: \_\_\_\_\_

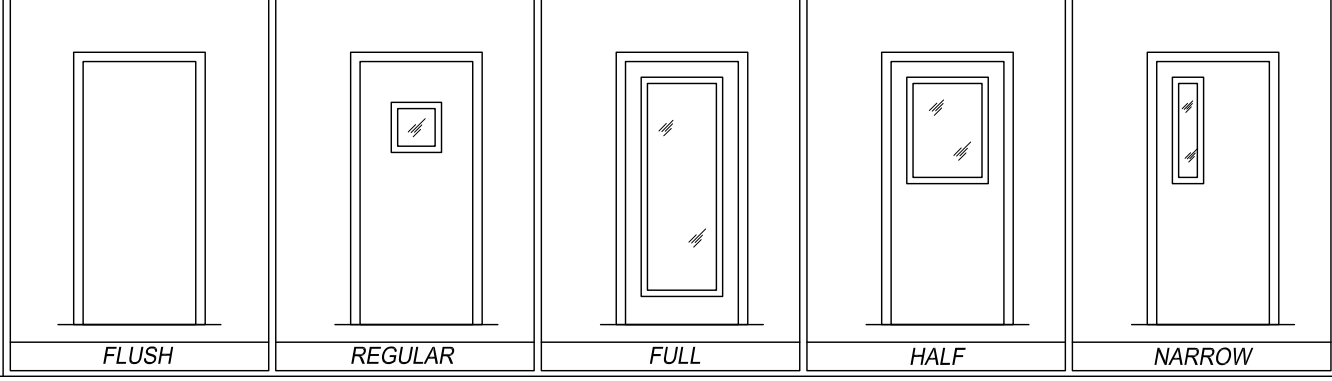
APPLICATION:  INTERIOR  EXTERIOR FINISH: \_\_\_\_\_ NB JOB #: \_\_\_\_\_

## DOUBLE-LEAF DOOR SPECIFICATIONS

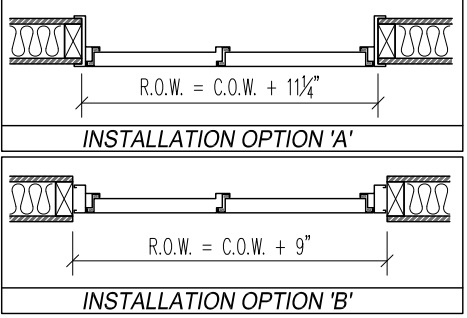
DOOR No.	DOOR SWING (ACTIVE LEAF)	WINDOW OPTION		INSTALLATION OPTION	CLEAR OPENING WIDTH	CLEAR OPENING HEIGHT	ROUGH OPENING WIDTH	ROUGH OPENING HEIGHT	THROAT DIMENSION
		ACTIVE	INACTIVE						



**WINDOW OPTIONS**



**INSTALLATION OPTION**



### HARDWARE SCHEDULE

HINGES	NBL-CLH-100 OFFSET CAM-LIFTING HINGES (QTY. (2) PER LEAF / FINISH: DULL SILVER)	QTY. 4
DOOR BOTTOM	MFG. STANDARD TEFLON COATED COMPRESSION SEAL	QTY. 2
HD/JMB/ASTRAGAL SEALS	MFG. STANDARD DOUBLE MAGNETIC SEALS	As Req'd
THRESHOLD	ONE-PIECE 1/4" ALUMINUM SILL PLATE	QTY. 1

NOTES: \_\_\_\_\_

<b>STC-54</b> <b>DOUBLE-LEAF DOOR</b> <b>SPECIFICATIONS</b>	PROJECT:		TYPE:		
	SUBMITTED BY:		ISSUE:		
	APPROVED BY:		PROJECT No.:		
	PROJ. MGR.	SHEET: DS-4			
			<b>NOISE BARRIERS</b>		
			401 AIRPORT DRIVE		
			NORTH AURORA, IL 60532		
			Phone: (847) 843-0500		
			Fax: (847) 843-0501		
			www.noisebarriers.com		