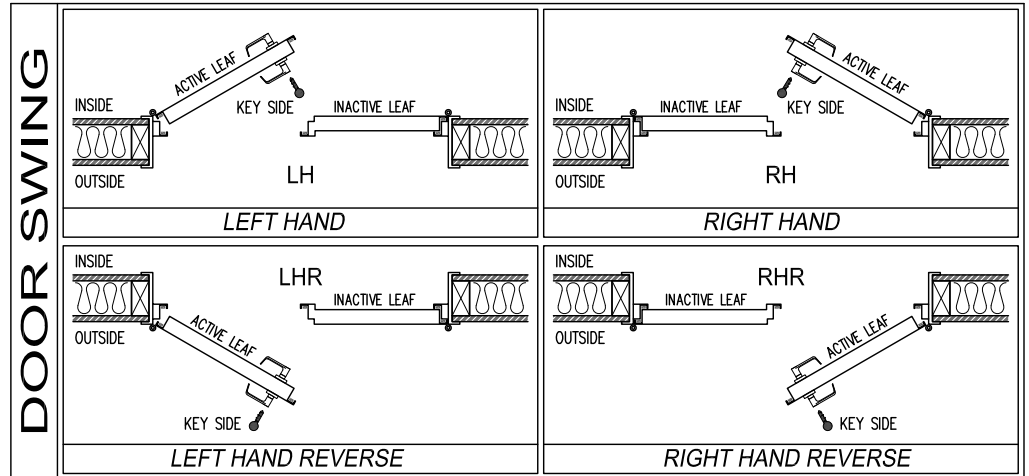
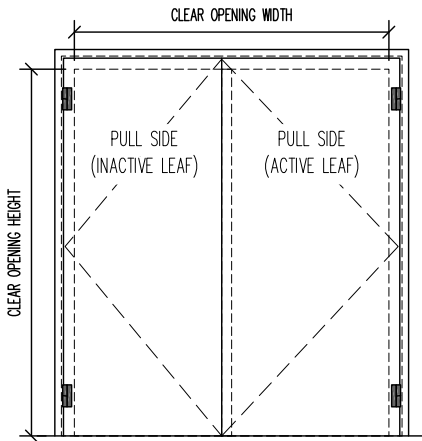


PROJECT NAME: _____ CUSTOMER: _____

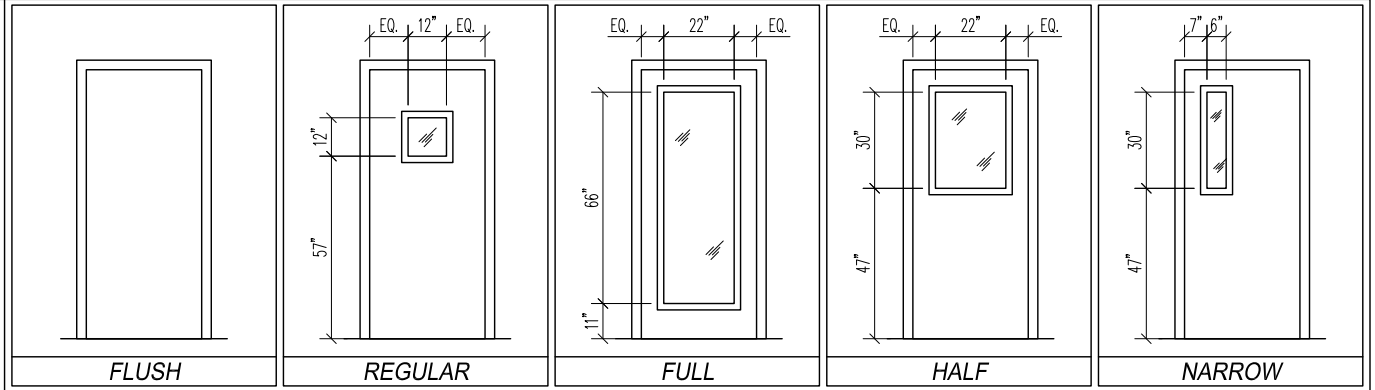
APPLICATION: INTERIOR EXTERIOR FINISH: _____ NB JOB #: _____

DOUBLE-LEAF DOOR SUBMITTAL

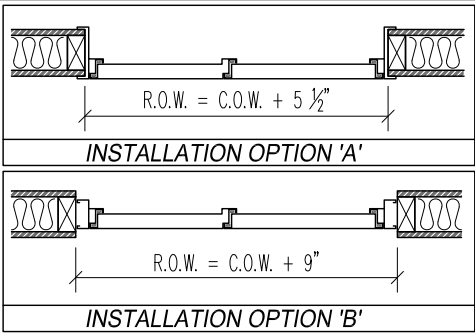
| DOOR No. | DOOR SWING (ACTIVE LEAF) | WINDOW OPTION | | INSTALLATION OPTION | CLEAR OPENING WIDTH | CLEAR OPENING HEIGHT | ROUGH OPENING WIDTH | ROUGH OPENING HEIGHT | WALL THICKNESS |
|----------|-----------------------------|---------------|----------|------------------------|------------------------|-------------------------|------------------------|-------------------------|-------------------|
| | | ACTIVE | INACTIVE | | | | | | |
| | | | | | | | | | |



WINDOW OPTIONS



INSTALLATION OPTION



HARDWARE SCHEDULE

| | | |
|-----------------------|---|----------|
| HINGES | NBL-CLH-100 OFFSET CAM-LIFTING HINGES (FINISH: DULL SILVER) | QTY. 2 |
| DOOR BOTTOM | MFG. STANDARD TEFLON COATED COMPRESSION SEAL | QTY. 2 |
| HD/JMB/ASTRAGAL SEALS | MFG. STANDARD DOUBLE MAGNETIC SEALS | as req'd |
| THRESHOLD | ONE-PIECE 1/4" ALUMINUM SILL PLATE | QTY. 1 |
| | | |
| | | |
| | | |
| | | |

NOTES: _____

| | | | | |
|---|---------------|--------|-------|--------------|
| <h2>STC-50 DOUBLE-LEAF DOOR SPECIFICATIONS</h2> | PROJECT: | | TYPE: | |
| | SUBMITTED BY: | | DATE: | ISSUE: |
| | APPROVED BY: | | DATE: | PROJECT No.: |
| | PROJ. MGR. | SHEET: | | |

NOISE BARRIERS
 401 AIRPORT DRIVE
 NORTH AURORA, IL 60532
 Phone: (847) 843-0500
 Fax: (847) 843-0501
www.noisebarriers.com