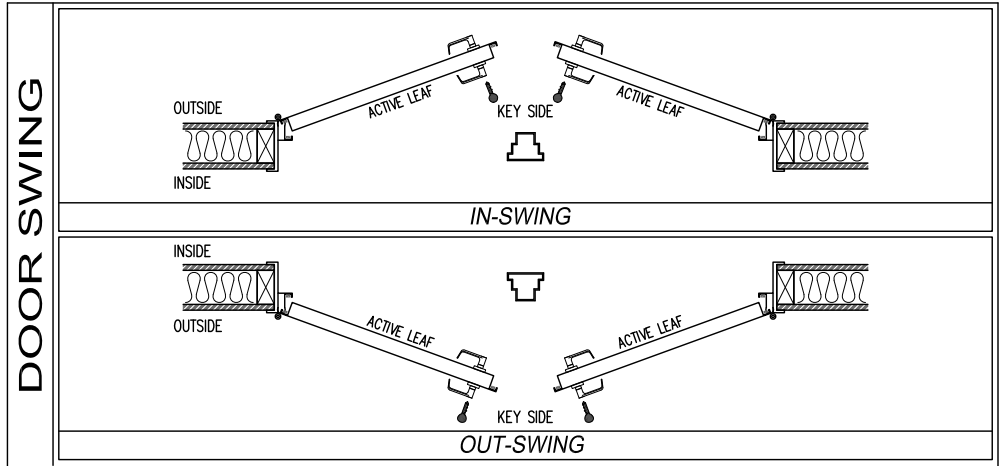
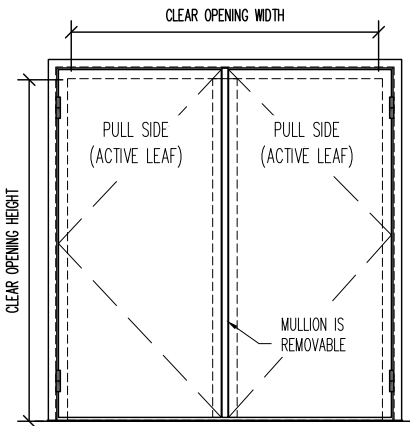


PROJECT NAME: _____ CUSTOMER: _____

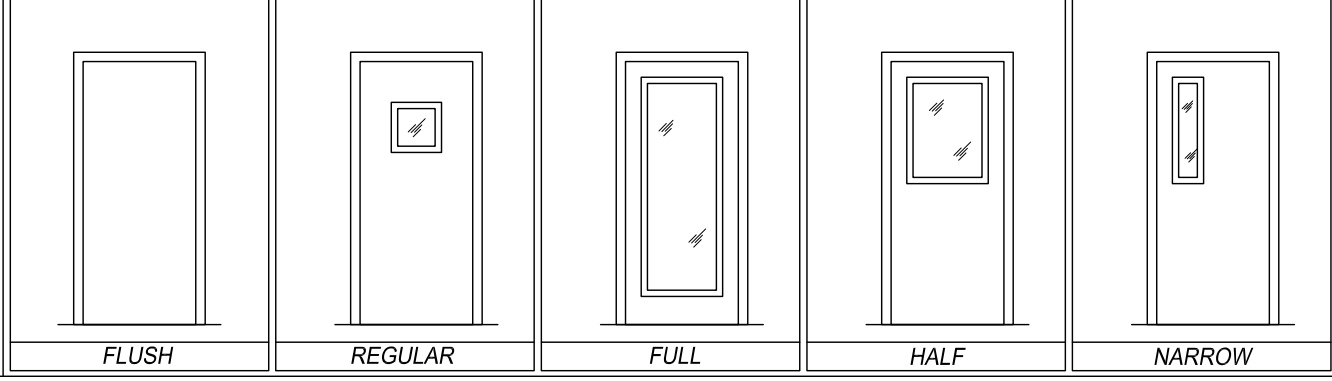
APPLICATION: INTERIOR EXTERIOR FINISH: _____ NB JOB #: _____

DOUBLE-LEAF DOOR SPECIFICATIONS

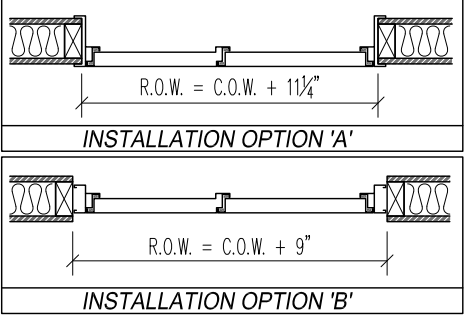
DOOR No.	DOOR SWING (ACTIVE LEAF)	WINDOW OPTION		INSTALLATION OPTION	CLEAR OPENING WIDTH	CLEAR OPENING HEIGHT	ROUGH OPENING WIDTH	ROUGH OPENING HEIGHT	THROAT DIMENSION
		ACTIVE	INACTIVE						



WINDOW OPTIONS



INSTALLATION OPTION



HARDWARE SCHEDULE

HINGES	NBL-CLH-100 OFFSET CAM-LIFTING HINGES (QTY. (2) PER LEAF / FINISH: DULL SILVER)	QTY. 4
DOOR BOTTOM	MFG. STANDARD TEFLON COATED COMPRESSION SEAL	QTY. 2
HD/JMB/ASTRAGAL SEALS	MFG. STANDARD DOUBLE MAGNETIC SEALS	As Req'd
THRESHOLD	ONE-PIECE 1/4" ALUMINUM SILL PLATE	QTY. 1

NOTES: _____

STC-56 DOUBLE-LEAF DOOR SPECIFICATIONS	PROJECT:		TYPE:
	SUBMITTED BY:		ISSUE:
	APPROVED BY:		PROJECT No.:
	PROJ. MGR.	SHEET: DS-4	

NOISE BARRIERS
 401 AIRPORT DRIVE
 NORTH AURORA, IL 60532
 Phone: (847) 843-0500
 Fax: (847) 843-0501
 www.noisebarriers.com