

QuietSwing

EZ OPEN™ DOOR

REDUCES PUSH/PULL FORCE NECESSARY
TO DISENGAGE SEALS WITHOUT
COMPROMISING ACOUSTIC PERFORMANCE



Low Force



The EZ Open™ Compression Seal is a Custom Designed Seal for use on the Noise Barriers door frame in conjunction with a magnetic seal on the door leaf.

The QuietSwing EZ Open™ Compression Seal System reduces the push/pull force to less than 3lbs*!

Ideal for new sound doors and can be retrofitted onto existing Noise Barriers doors supplied in 2018 to present.

Use of QuietSwing EZ Open™ Compression Seal seal does not affect acoustic performance of door.

Latching hardware is required.

*Standard 3'x7' 2.5" thick door

QuietSwing

EZ OPEN™ DOOR

The Compression Seal is a Custom Designed Seal for use on the frame in conjunction with a magnetic seal on the door leaf.

Features & Benefits:

- Reduces required force to disengage seals
- Guaranteed acoustic performance
- EZ Open™ Compression Seal is compatible with 2-1/2" and 3-1/2" door thicknesses and designed to work with standard building hardware
- All hardware, seals and cam-lift hinges are factory supplied and installed
- Wood veneer finish available
- Split-frame assembly allows installation into existing openings
- All doors with vision panels are delivered factory glazed
- All doors are tested at independent NVLAP approved testing facilities

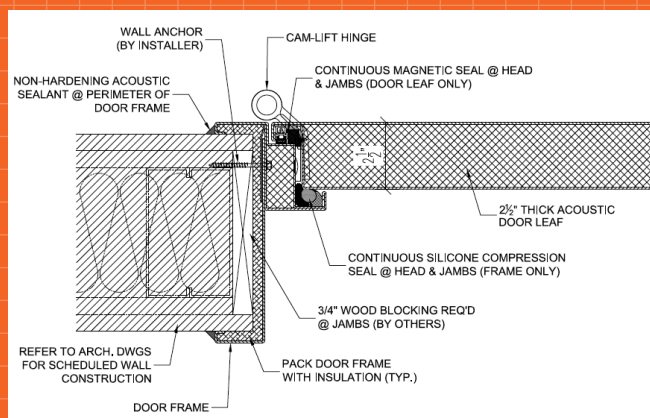
How Does it work?

When the hardware latch is retracted the compression seal overcomes the force of the magnetic seal so the door can be opened easily with minimal push/pull force.



Single Leaf and Double Leaf Applications:

- Studios
- Performance Halls
- Classrooms
- Music Practice Rooms
- Jury Rooms
- Hospitals
- Assisted Living Facilities
- Conference Rooms
- Secure Areas
- Auditoriums
- Audiometric Rooms
- Sensitive Compartmented Information Facilities (SCIFs)



EZ Open™ is compatible with Noise Barriers'

QuietSwing™ STC 45, 49, 50 and 51 Doors!

Acoustic Performance Data

1/3 Octave Band Data

Frequency, Hz	100	125	160	200	250	315	400	500	630	800	1000	1250	1600	2000	2500	3150	4000	STC
QS-51	35	37	41	43	46	45	47	48	48	47	48	51	51	54	57	56	55	51
EZ OPEN™ QS-51	35	37	41	43	46	45	47	48	48	47	48	51	52	54	57	56	55	51

All tests performed by an independent NVLAP accredited acoustical testing facility. The test method conforms with ASTM Designations E90-09 and E413-87



Follow Us



www.noisebarriers.com

© 2020 Noise Barriers