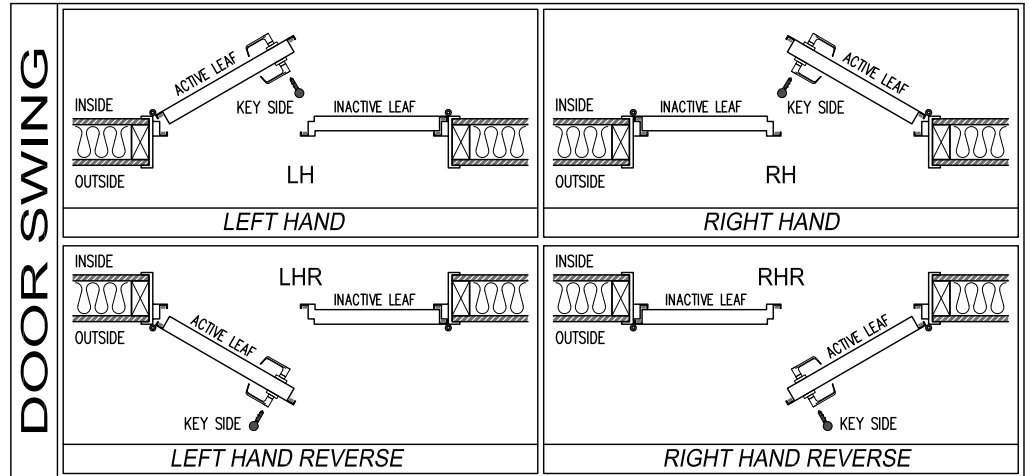
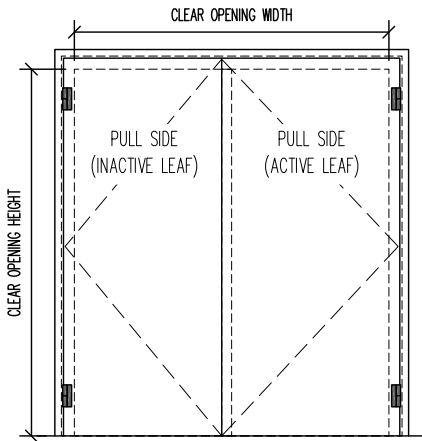


PROJECT NAME: \_\_\_\_\_ CUSTOMER: \_\_\_\_\_

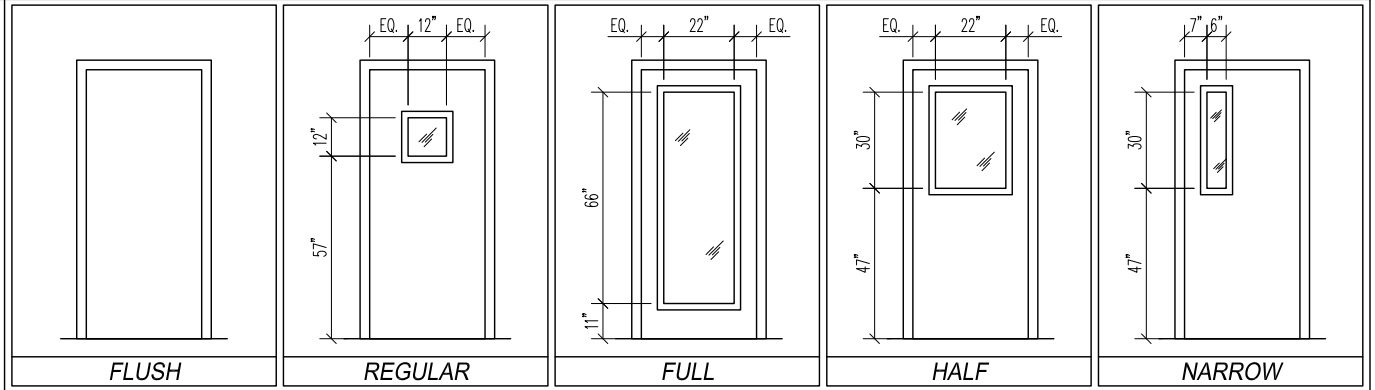
APPLICATION:  INTERIOR  EXTERIOR FINISH: \_\_\_\_\_ NB JOB #: \_\_\_\_\_

## DOUBLE-LEAF DOOR SUBMITTAL

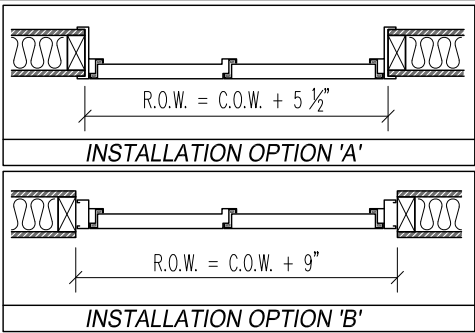
DOOR No.	DOOR SWING (ACTIVE LEAF)	WINDOW OPTION		INSTALLATION OPTION	CLEAR OPENING WIDTH	CLEAR OPENING HEIGHT	ROUGH OPENING WIDTH	ROUGH OPENING HEIGHT	WALL THICKNESS
		ACTIVE	INACTIVE						



### WINDOW OPTIONS



### INSTALLATION OPTION



### HARDWARE SCHEDULE

HINGES	NBL-CLH-100 OFFSET CAM-LIFTING HINGES (FINISH: DULL SILVER)	QTY.
DOOR BOTTOM	MFG. STANDARD TEFLON COATED COMPRESSION SEAL	QTY. 1
HD/JMB/ASTRAGAL SEALS	MFG. STANDARD DOUBLE MAGNETIC SEALS	as req'd
THRESHOLD	ONE-PIECE 1/4" ALUMINUM SILL PLATE	QTY. 1

NOTES: \_\_\_\_\_

<h2>STC-54 DOUBLE-LEAF DOOR SPECIFICATIONS</h2>	PROJECT: _____		TYPE: _____	
	SUBMITTED BY: _____		DATE: _____	ISSUE: _____
	APPROVED BY: _____		DATE: _____	PROJECT No.: _____
	PROJ. MGR. _____	SHEET: _____		

**NOISE BARRIERS**  
 401 AIRPORT DRIVE  
 NORTH AURORA, IL 60532  
 Phone: (847) 843-0500  
 Fax: (847) 843-0501  
[www.noisebarriers.com](http://www.noisebarriers.com)