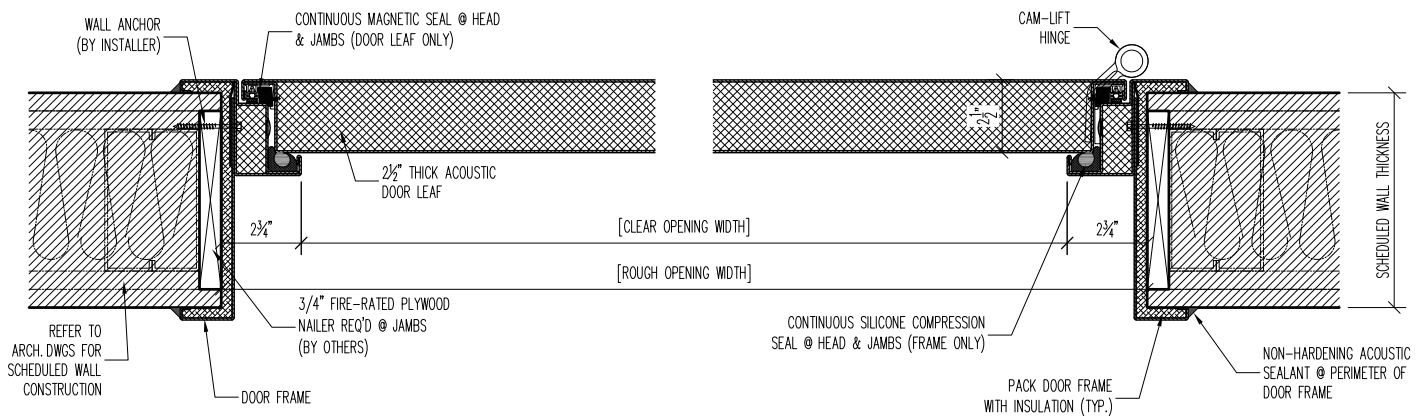
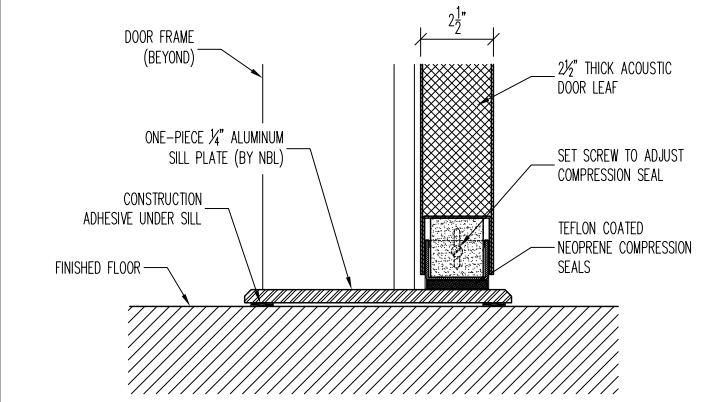
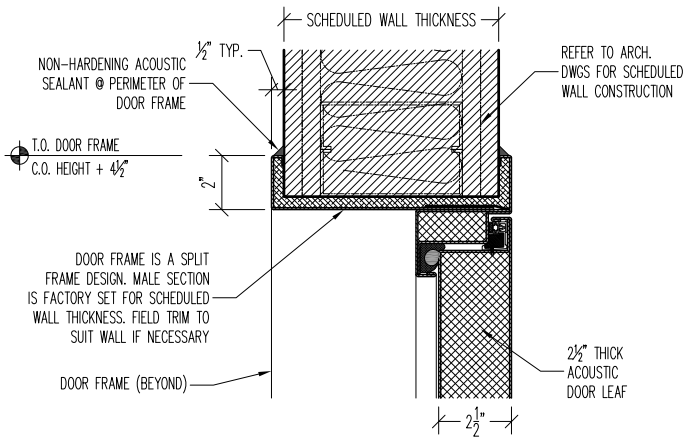


AS SHOWN @ DOORS		
OPP. HAND @ DOORS		



1 JAMB DETAIL



2 HEAD DETAIL

3 SILL DETAIL

**STC-50 / ADA
SINGLE-LEAF DOOR
INSTALL DETAILS**

PROJECT:		TYPE: GENERAL	
SUBMITTED BY:	DATE:	ISSUE: -	
APPROVED BY:	DATE:	PROJECT No.:	
PROJ. MGR.	SHEET: EZ-PULL		

NOISE BARRIERS
 401 AIRPORT DRIVE
 NORTH AURORA, IL 60532
 Phone: (847) 843-0500
 Fax: (847) 843-0501
 www.noisebarriers.com