



ARCHITECTURAL DOORS



NOISE BARRIERS.

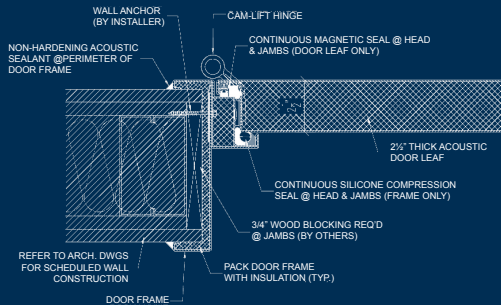


# QuietSwing®

## SINGLE-LEAF & DOUBLE-LEAF PATENT-PENDING DESIGN

- Studios
- Performance Halls
- Classrooms
- Music Practice Rooms
- Jury Rooms
- Hospitals
- Assisted Living Facilities
- Conference Rooms
- Secure Areas
- Auditoriums
- Audiometric Rooms
- Sensitive Compartmented Information Facilities (SCIFs)

The Compression Seal is a custom designed seal for use on the frame in conjunction with a magnetic seal on the door leaf.

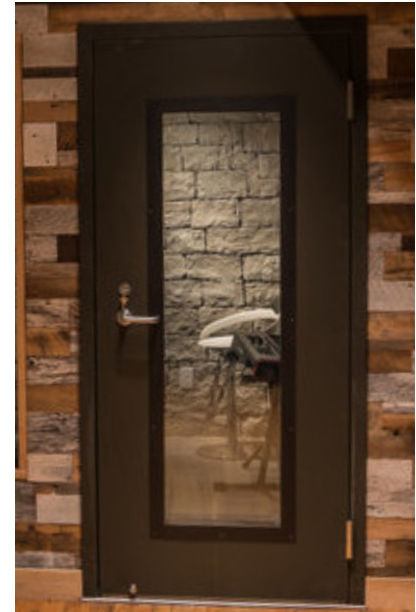


## FEATURES

- Reduces required force to disengage seals
- Guaranteed acoustic performance
- All hardware, seals, and cam-lift hinges are factory supplied and installed
- Split-frame assembly allows installation into existing openings
- All doors with vision panels are delivered factory glazed
- All doors are tested at Riverbank Acoustical Laboratories or USG Testing Services Lab, both are independent NVLAP approved door testing facilities

## OPTIONAL FEATURES

- Fire Rated
- Impact Resistant



## STANDARD SERIES

The QuietSwing door is completely factory assembled including the installation of both sets of magnetic seals, all hardware, and even glazing if required. The result is a door that leaves the factory truly ready to install.



QuietSwing®

All our door and frame components are swing tested as a complete assembly prior to shipment.

## WOOD VENEER DOORS

### SINGLE-LEAF & DOUBLE-LEAF DESIGN

- Studios
- Performance Halls
- Classrooms
- Jury Rooms
- Mechanical Equipment Rooms
- Control Rooms
- Conference Rooms
- Secure Areas
- Auditoriums
- Quiet Rooms
- Physicians' Offices
- Sensitive Compartmented Information Facilities (SCIFs)



Superior Craftsmanship



Large Variety of Color Options

\*All other models available with a Cam Lift Hinge

## FEATURES

- Guaranteed acoustic performance
- All doors are tested at Riverbank Acoustical Laboratories or USG Testing Services Lab
- All hardware, seals, and hinges are factory installed
- Door includes custom cam-lift hinge design, eliminating the need for a threshold in most applications
- Adjustable mortised bottom seal allows the door to adapt to site floor conditions
- Double magnetic seals at head and jambs
- Split-frame assembly allows installation into existing openings
- All doors with vision panels are factory glazed prior to shipment
- Designed to work with standard building hardware, factory installed if desired
- Ease of operation conforms to ADA
- Available in single-leaf, double-leaf, and bi-fold designs

## OPTIONS

- Our metal sound control doors are available with wood veneer applied to the face of the door
- Wood veneered doors must be stored in a temperature- (60°-90° F) and humidity-controlled (50% max.) clean, dry area
- If doors are purchased unsealed, they must be sealed as soon as possible on the job site (no more than 2 days)
- Only polyurethane, acrylic urethanes, or lacquer finishes are acceptable as they will not degrade the adhesive used to bond the veneer to the door face
- Standard wood species of veneer include: Anigre, Ash, Beech, Birch, Cedar, Cherry, Mahogany, Maple, Red Oak, White Oak, Pine, and Spruce (others available for special pricing)
- Standard veneer does not include Rotary Cut or Book Matching, but are offered at an additional cost



# QuietSwing®



## ALEXIS™ SERIES



3-Axis Adjustable  
Concealed Hinge



Low Visual Distortion  
Lite System



Proprietary Silicone  
Polymer Compression Seal

CHECK OUT OUR ALEXIS  
DOOR VIDEO HERE!

✓ Patent Pending

## SINGLE-LEAF & DOUBLE-LEAF PATENT-PENDING DESIGN

- Studios
- Performance Halls
- Classrooms
- Jury Rooms
- Mechanical Equipment Rooms
- Control Rooms
- Conference Rooms
- Secure Areas
- Auditoriums
- Quiet Rooms
- Sensitive Compartmented Information Facilities (SCIFs)

Available In  
**WOOD  
VENEER**



SHIPS IN ONE  
PIECE FOR EASY  
INSTALLATION

## EZ OPEN™ SERIES

EZ Open doors are compatible with Noise Barriers QuietSwing STC 45, 49, 50, and 51 Doors!



Proprietary Silicone Polymer Compression Seal (compatible with 2-1/2" and 3-1/2" door thicknesses)



Seal System reduces the push/pull force to less than 3lbs



## QUIETFOLD BI-PARTING DOOR SERIES



QuietSwing Double  
Seal



Typical Hardware Can  
Be Used



Mounts to Door Jamb  
Only

**QuietSwing**<sup>®</sup>



# S

# L



# H

# S



SEE OUR BI-PARTING  
DOORS IN ACTION

## APPLICATIONS

- Theatre Back-of-Stage
- Studio Partitions
- Studio Equipment Doors
- Production Space
- Churches
- Test Facilities
- Schools
- Power Generation Facilities

## FEATURES

- 4- or 6-hinge leaves
- All doors are tested at Riverbank Acoustical Laboratories or USG Testing Services Lab
- Both sides can be fully opened with minimal floor space being occupied
- Any combination of opening just one, two, or all leaves for flexibility of operation
- All swing with the ease of our standard QuietSwing doors
- Design based on the long-standing success of our double seal QuietSwing doors
- Typical hardware can be used
- Powder-coat or veneer finishes

Available In  
**WOOD  
VENEER**



# QuietPivot™

Our sound control doors start performing the moment they arrive on the job site. Get in touch with us today to discuss your QuietPivot Door needs.

## APPLICATIONS

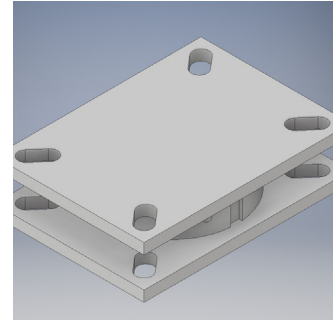
- Theaters
- Performing Arts Centers
- Auditoriums
- TV and Music Productions Studios
- Concert Halls
- Museums
- Convention Centers
- Schools
- Edit Suites
- Modular Recording Studios and Voice-Over Rooms

## FEATURES

- Center pivot, low friction, door panel movement
- Endless positions for doors "open positions"
- One or all door panels can be operational as desired
- Double magnetic seal system at head and jambs
- Mortised bottom seals
- Split frame design for jambs and header
- Typically fixed handle system can be utilized
- Millwork and veneering are available
- Ease of operation conforms to ADA

SEE OUR PIVOT DOORS  
IN ACTION

## PIVOT DOOR SERIES



Smooth Rotating Pivot Block



Double Magnetic Seals  
at Head and Jambs

Acoustical Performance Data  
Sound Transmission Loss Data, dB

1/3 Octave Band Center Frequency, Hz	125	250	500	1K	2K	4K	STC
ALX-51, 1 <sup>3/4</sup> " Thick	27	45	48	53	53	55	51
QS-45, 2 <sup>1/2</sup> " Thick - 11.2 PSF	29	33	41	48	48	50	45
QS-46, 2 <sup>1/2</sup> " Thick - 8.6 PSF	36	41	45	51	50	52	46
QS-50, 2 <sup>1/2</sup> " Thick - 10.1 PSF	37	42	50	49	51	55	50
QS-51, 2 <sup>1/2</sup> " Thick - 10.1 PSF	40	44	48	52	52	55	51
QS-52, 2 <sup>1/2</sup> " Thick - 10.5 PSF	40	44	50	53	54	56	52
QS-54, 3 <sup>1/2</sup> " Thick - 18.3 PSF	37	47	52	54	55	60	54
QS-56, 3 <sup>1/2</sup> " Thick - 20.9 PSF	38	46	55	55	60	63	56
1/3 Octave Band Center Frequency, Hz	125	250	500	1K	2K	4K	STC
QS-61, 3 <sup>1/2</sup> " Thick - 19.3 PSF	42	53	59	63	66	71	62
QS-64, 5" Thick - 19.7 PSF	51	59	70	70	71	73	70

These are an NIC 62 and 70. Field testing results may vary due to Room Size, Configuration, and Room Acoustics.

QuietPivot Acoustical Performance Data

1/3 Octave Band Center Frequency, Hz	100	125	160	200	250	315	400	500	630	800	1K	1.25K	1.6K	2K	2.5K	3.15K	4K	5K	STC
QS-45	32	31	32	33	34	36	40	42	45	47	48	48	49	50	50	47	47	48	45

All tests performed by an independent NVLAP accredited acoustical testing facility. The test method conforms with ASTM Designations E90-02 and E413-87.



NOISE BARRIERS

