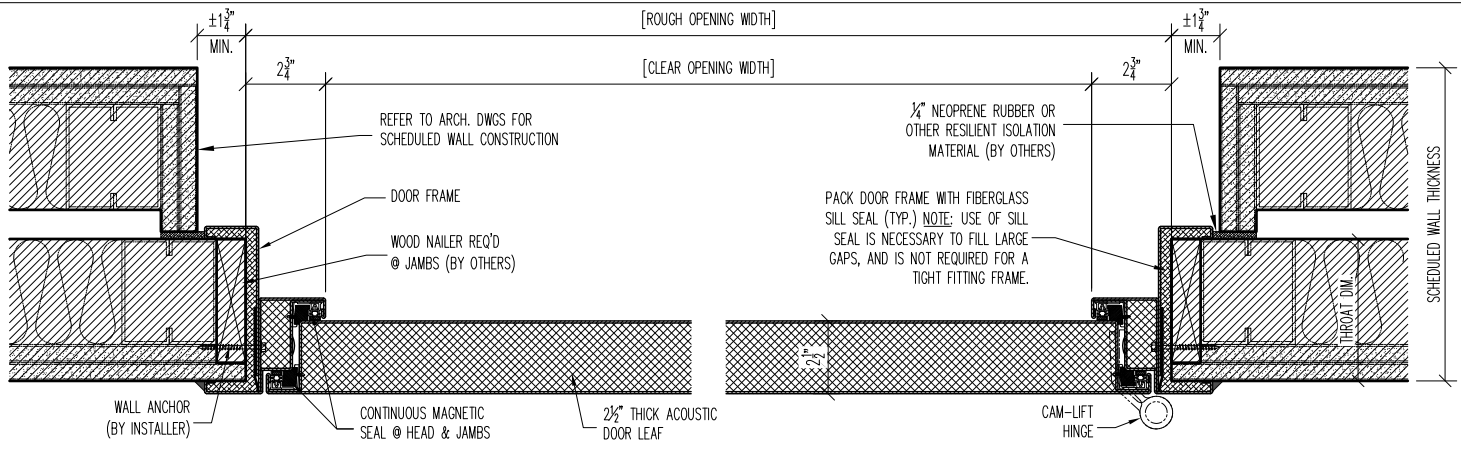


AS SHOWN @ DOORS

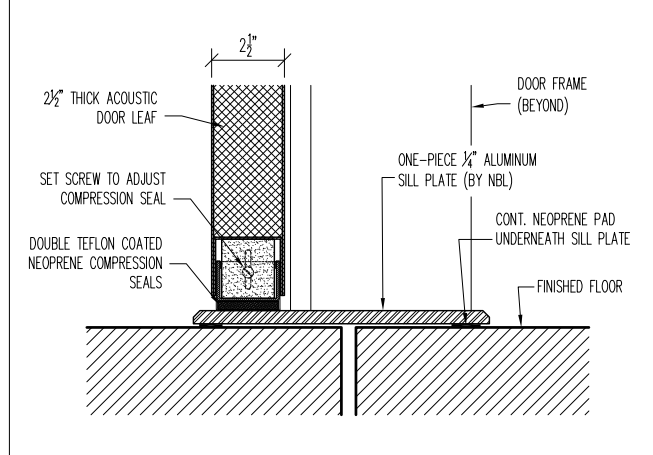
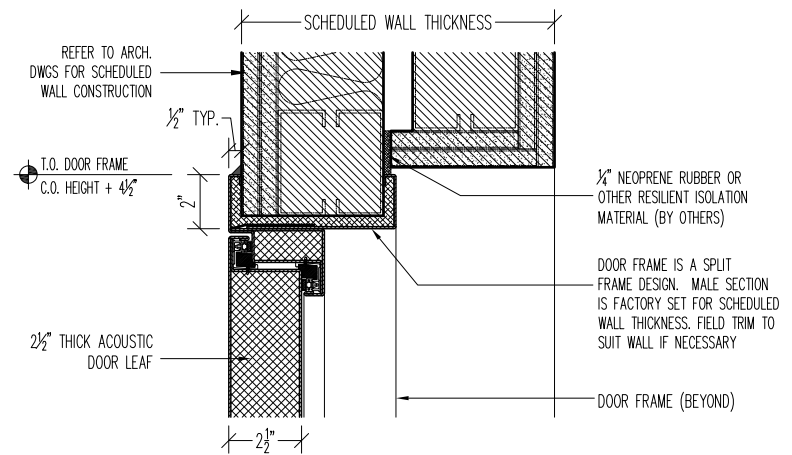
| | | |
|--|--|--|
| | | |
| | | |
| | | |
| | | |
| | | |
| | | |

OPP. HAND @ DOORS

| | | |
|--|--|--|
| | | |
| | | |
| | | |
| | | |
| | | |
| | | |



1 JAMB DETAIL



2 HEAD DETAIL

3 SILL DETAIL

**STC-50 SL-DOOR
TYPICAL - TYPE 'A'
INSTALL DETAILS**

| | | | |
|---------------|--------|--------------|--|
| PROJECT: | | TYPE: | |
| SUBMITTED BY: | DATE: | ISSUE: | |
| APPROVED BY: | DATE: | PROJECT No.: | |
| PROJ. MGR. | SHEET: | | |

NOISE BARRIERS
 401 AIRPORT DRIVE
 NORTH AURORA, IL 60532
 Phone: (847) 843-0500
 Fax: (847) 843-0501
 www.noisebarriers.com