



# QuietGuard

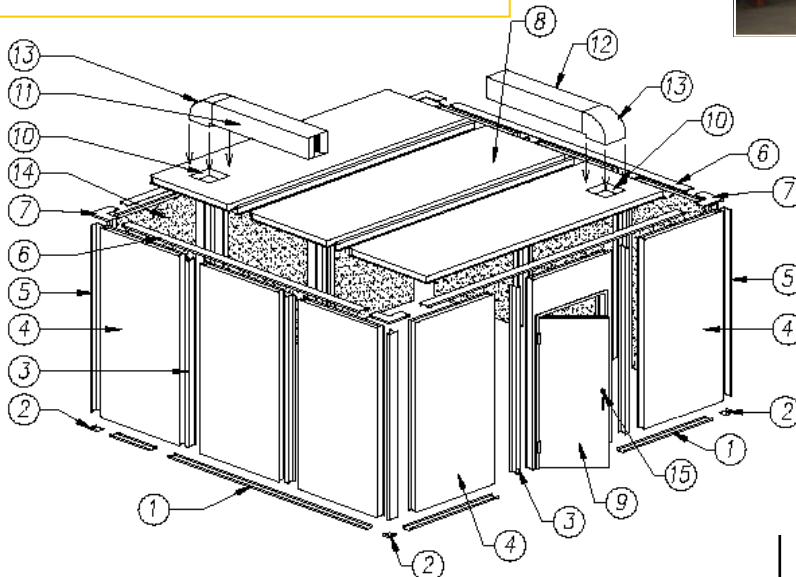
Pre-engineered Modular SCIF and EM-S Systems



**Modular or Pre-assembled Sensitive Compartmented Information Facilities and Electromagnetic Shielded Facilities**

## Single

- Guaranteed to meet DCID 6-9, ICD/ ICS 705, Sound Groups 1, 2, 3 and 4
- Custom designed to meet your requirements
- Can be disassembled, relocated and re-certified
- Electromagnetic shielding attenuation (EM-SA)
- Blast and bullet resistant construction available
- Faster design to certification time than standard construction
- Silenced and secure HVAC system
- Unlimited size and shape
- No construction mess
- Rugged construction



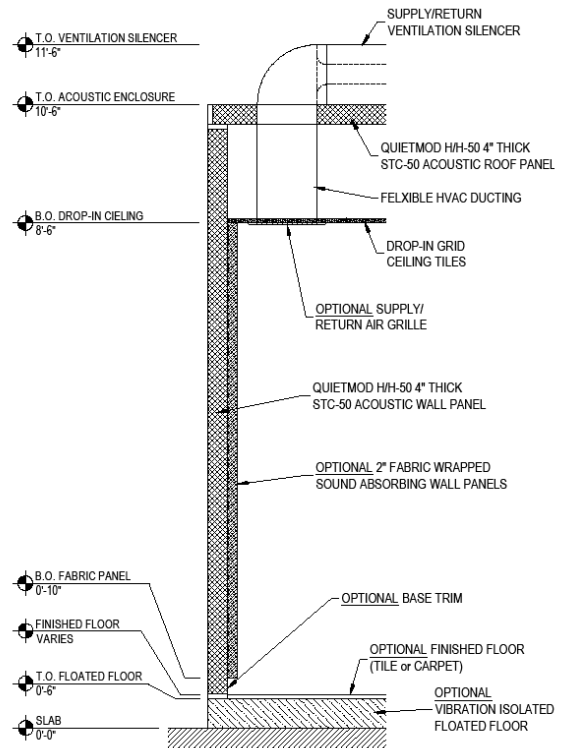
1. Floor Channel
2. Floor Channel Corner
3. "H"- Joinder
4. Acoustic Wall Panel
5. Corner Joinder
6. Roof Channel
7. Roof Channel Corner
8. Acoustic Roof Panel
9. Single-Leaf Acoustic Door
10. Cut-Out For Air Silencer
11. Exhaust Air Silencer
12. Inlet Air Silencer
13. Ventilation Elbow
14. Fabric Wall Panels
15. CDX Lock



[www.noisebarriers.com](http://www.noisebarriers.com)

Interior finishes can include:

- Carpet or tile floor
- Raised access floor
- Factory powder paint finish
- Fabric wrapped acoustical wall treatment
- 2 x 4 lay-in acoustic ceiling
- Intrusion detection system, emergency lighting
- Electrical including fluorescent lights, convenience outlets, distribution panel
- Power/Signal filters, communication lines, fiber optic penetrations
- Tempest red/black signal



\* RF applications require the flooring, full gasketing, and wave guides.

### Acoustic Performance Of Series 50-3 SCIF Security Facilities

All Quiet Guard DCID 6-9 705 SCIFs are field tested after installation and certified to be in compliance with all requirements of DCID 6-9, ICD/ICS 705. Typical field Noise Reduction and laboratory Sound Transmission Loss ratings are as follows:

**QuietGuard Panel System  
Sound Transmission Loss—Wall/Ceiling Panels**

Octave Band Center Frequency, Hz						
125	250	500	1K	2K	4K	STC
Panel Sound Transmission Loss, dB						
29	37	48	56	57	54	50

**2" Thick Fabric Wrapped Wall Panel  
Sound Absorption Coefficients**

(Utilizing Optional Liner Panels)						
125	250	500	1K	2K	4K	NRC
Sound Absorption Coefficient						
0.44	0.70	1.17	1.17	1.13	1.06	1.05

**QuietSwing Door  
Sound Transmission Loss—Security Doors**

Octave Band Center Frequency, Hz						
125	250	500	1K	2K	4K	STC
Sound Transmission Loss, dB						
37	42	50	49	51	56	50

**Noise Reduction—Assembled Facility**

Octave Band Center Frequency, Hz						
125	250	500	1K	2K	4K	NIC
Quiet Guard DCID 6-9 705 SCIF						
Noise Reduction dB						
41	44	49	49	56	50	51

Please contact us for specific product specifications and descriptions. CAD drawings and configurations to meet special requirements are available upon request.



[www.noisebarriers.com](http://www.noisebarriers.com)

2001 Kelley Court  
 Libertyville, IL 60048  
 Phone: (847) 843-0500  
 Fax: (847) 843-0501

# Electromagnetic Shielding Attenuation (EM-SA)

At a minimum, the NBL research chambers shall each be constructed to meet or exceed the requirements for EM-SA specified. These requirements are applicable to shielded audiometric booths located to avoid potential interference from electromagnetic fields. Measurement methods shall be in accordance with paragraphs d. (U) Acceptance Tests, e. (U) Electric and Magnetic Fields, and f. (U) Reference Level of B16. (U) Quality Assurance Provisions of Specifications NSA No. 65-6, 30 October 1964 and in addition to the requirements in the cited paragraphs of the National Security Agency (NSA) Specification for Shielded Enclosures (NSA No. 65-6), dated 24 October 1994, leakage checks must also be made at all windows, doors, hatches, jack panels, computer interface interconnection panels, cable pass-through ports, penetrations for electrical, lighting, ventilation, and sprinkler systems, and at representative accessible panel seams.

In the case where the required/specified shielding effectiveness is less than shown, NBL will adjust the gasketing, but still insure the required performance.

**Specification for Minimum Values of Shielding Effectiveness (SE), in dB**

Type of Field	Frequency	Level II
		SE, (db)
Magnetic	1 kHz	10
	10 kHz	20
	100 kHz	30
	500 kHz	37
	1 MHz	40
Electric	1 kHz	50
	10 kHz	50
	100 kHz	50
	500 kHz	50
	1 MHz	50
	10 MHz	45
	18 MHz	40
Plane Wave	50 MHz	50
	100 MHz	50
	200 MHz	37
	400 MHz	44
	1000 MHz	40



EM-S chamber under construction.



EM-S chamber at commissioning.



[www.noisebarriers.com](http://www.noisebarriers.com)

2001 Kelley Court  
Libertyville, IL 60048

Phone: (847) 843-0500  
Fax: (847) 843-0501