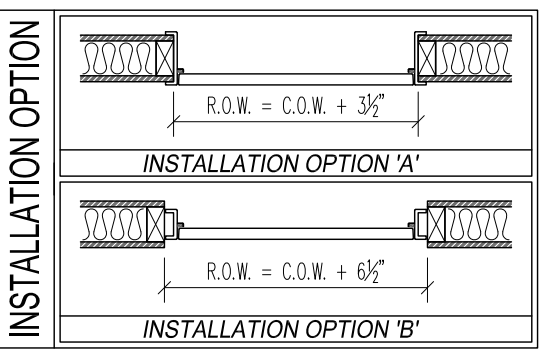
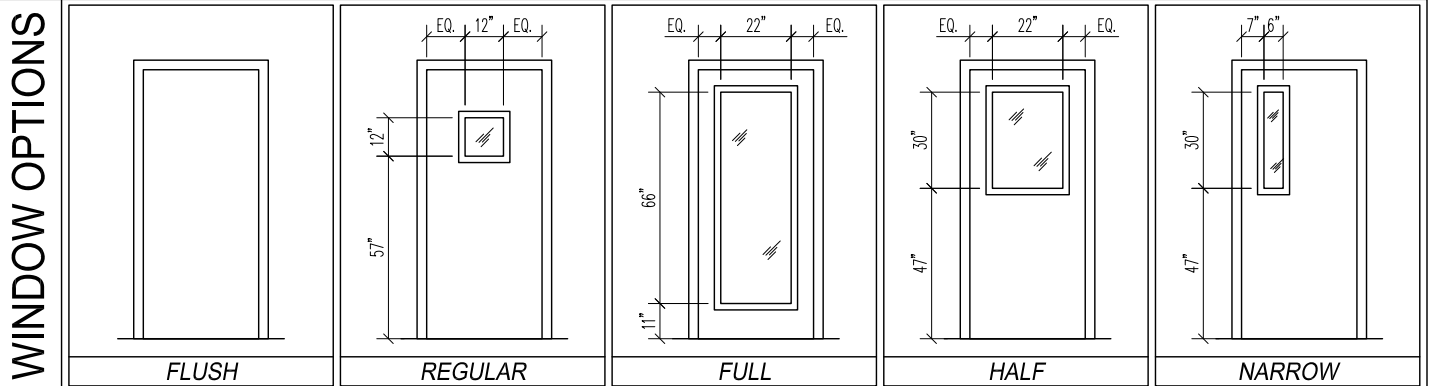
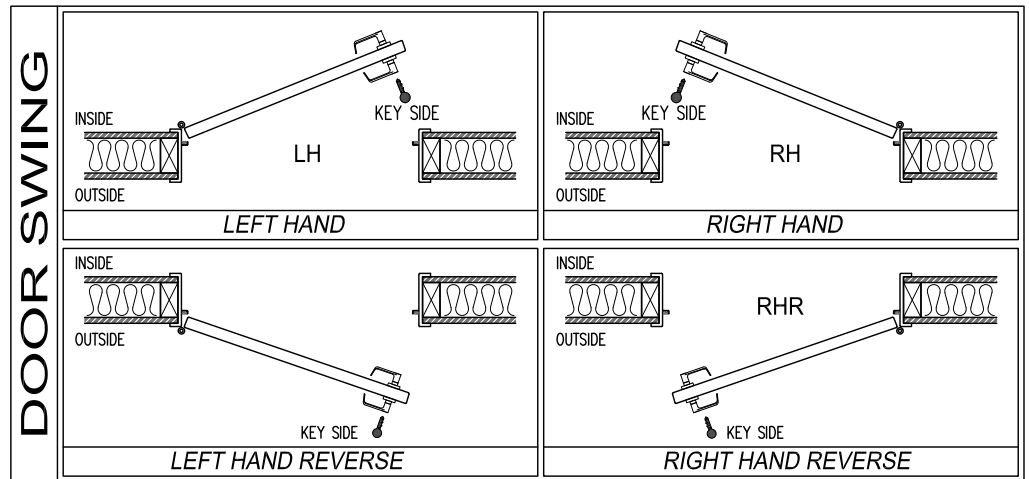
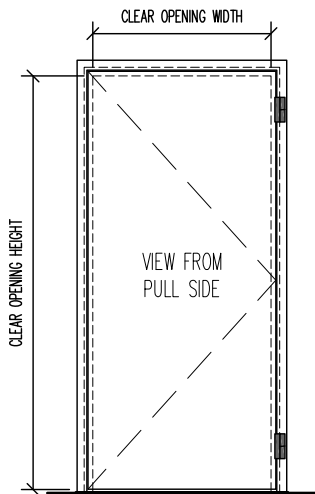


PROJECT NAME: \_\_\_\_\_ CUSTOMER: \_\_\_\_\_

APPLICATION:  INTERIOR  EXTERIOR FINISH: \_\_\_\_\_ NB JOB #: \_\_\_\_\_

## SINGLE-LEAF DOOR SPECIFICATIONS

DOOR No.	DOOR SWING	WINDOW OPTION	INSTALLATION OPTION	CLEAR OPENING WIDTH	CLEAR OPENING HEIGHT	ROUGH OPENING WIDTH	ROUGH OPENING HEIGHT	WALL THICKNESS



HARDWARE SCHEDULE		
HINGES	NBL-CLH-100 OFFSET CAM-LIFTING HINGES (FINISH: DULL SILVER)	QTY.
DOOR BOTTOM	MFG. STANDARD TEFLON COATED COMPRESSION SEAL	QTY. 1
HD/JMB/ASTRAGAL SEALS	MFG. STANDARD MAGNETIC SEAL	as req'd
THRESHOLD	ONE-PIECE 1/4" ALUMINUM SILL PLATE	QTY. 1
HD/JMB/ASTRAGAL SEALS	MFG. STANDARD STAINLESS STEEL SPRING SEAL	as req'd

NOTES: \_\_\_\_\_

<h3>STC-45</h3> <p><b>SINGLE-LEAF DOOR</b> <b>W/ MAGNETIC SEALS</b></p>	PROJECT:	TYPE:	
	SUBMITTED BY:	DATE:	ISSUE:
	APPROVED BY:	DATE:	PROJECT No.:
	PROJ. MGR.	SHEET:	

**NOISE BARRIERS**  
401 AIRPORT DRIVE  
NORTH AURORA, IL 60532  
Phone: (847) 843-0500  
Fax: (847) 843-0501  
[www.noisebarriers.com](http://www.noisebarriers.com)