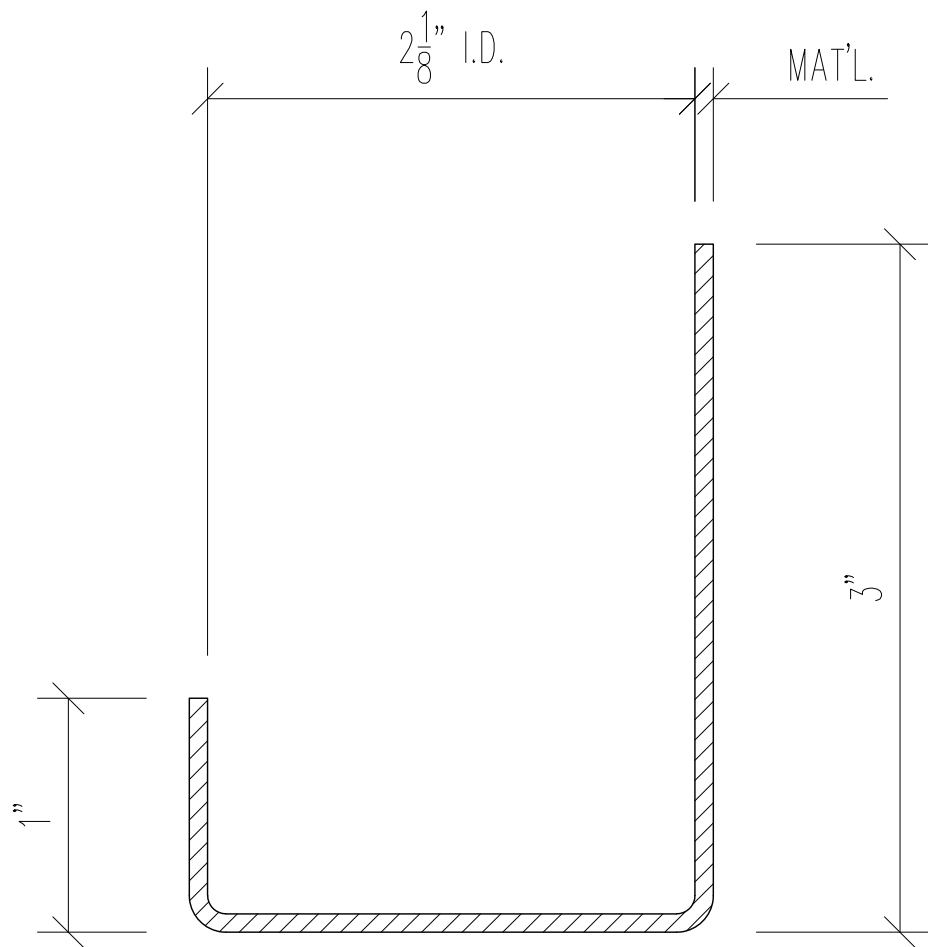


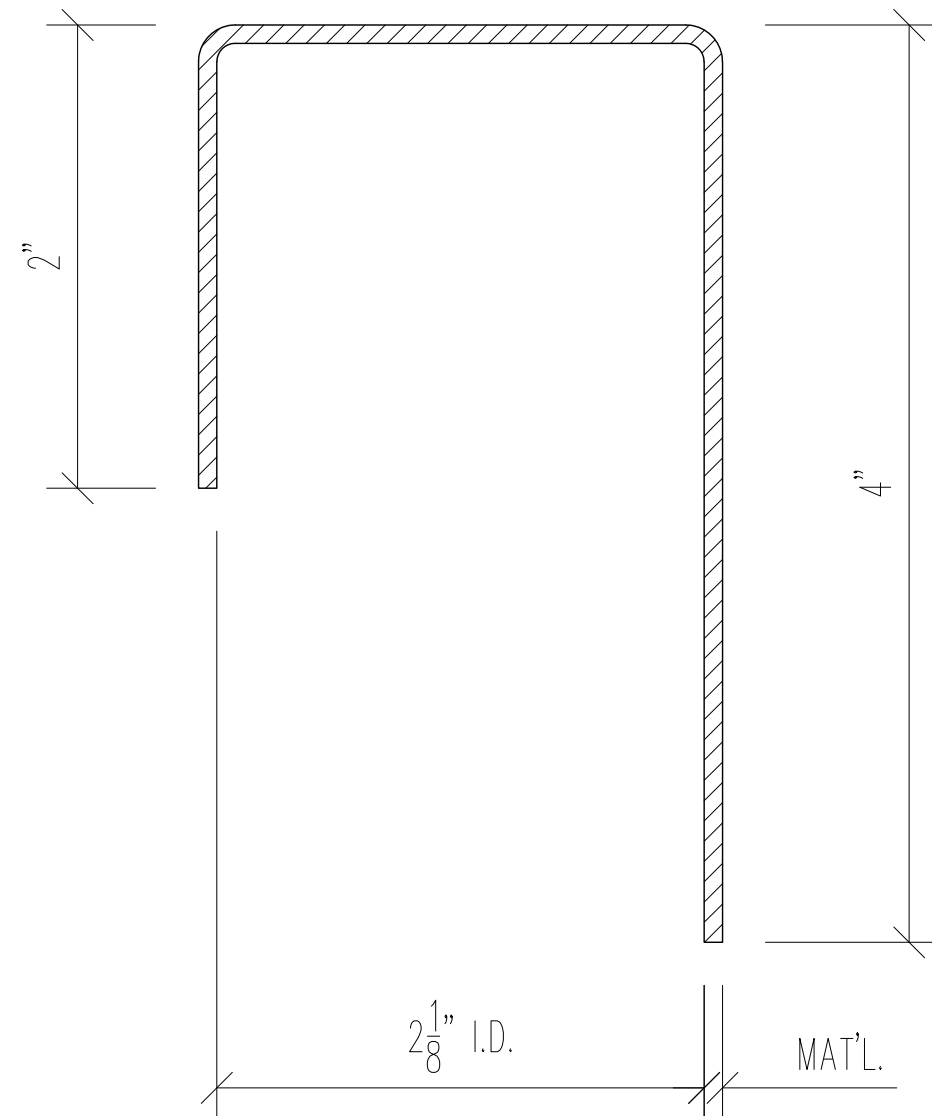
BOTTOM 'J' CHANNEL

QTY.	LENGTH



TOP 'J' CHANNEL

QTY.	LENGTH



MATERIAL:

- 18 GA. (.047") A-60 GALVANNEALED STEEL
- 18 GA. (.047") G-90 GALVANIZED STEEL
- 12 GA. (.105") A-60 GALVANNEALED STEEL
- 12 GA. (.105") G-90 GALVANIZED STEEL
- 16 GA. (.063") 3003-H14 ALUMINUM (MILL FINISH)

FINISH:

- UNFINISHED
- POWDER COATED, COLOR: T.B.D.

PROPRIETARY
 THIS DESIGN AND DRAWING IS THE EXCLUSIVE PROPERTY OF NOISE BARRIERS, LLC. AND IS SUBMITTED AS CONFIDENTIAL INFORMATION IN CONNECTION WITH YOUR INQUIRY. IT MUST NOT BE USED FOR ANY OTHER PURPOSES, NOR CAN IT BE COPIED OR LOANED WITHOUT WRITTEN PERMISSION. UPON REQUEST IT MUST BE RETURNED IMMEDIATELY.

REVISIONS	DESCRIPTION	DATE	BY

DESCRIPTION		
NB-II MOUNTING CHANNELS		
CUSTOMER		
NOISE BARRIERS		
DRAWN BY	PROJ. MGR.	PROJECT NO.
-	-	
DATE	SHEET	
-	3 OF X	

NOISE BARRIERS

401 AIRPORT DRIVE
 NORTH AURORA, IL 60532
 Phone: (847) 843-0500
 Fax: (847) 843-0501

www.noisebarriers.com