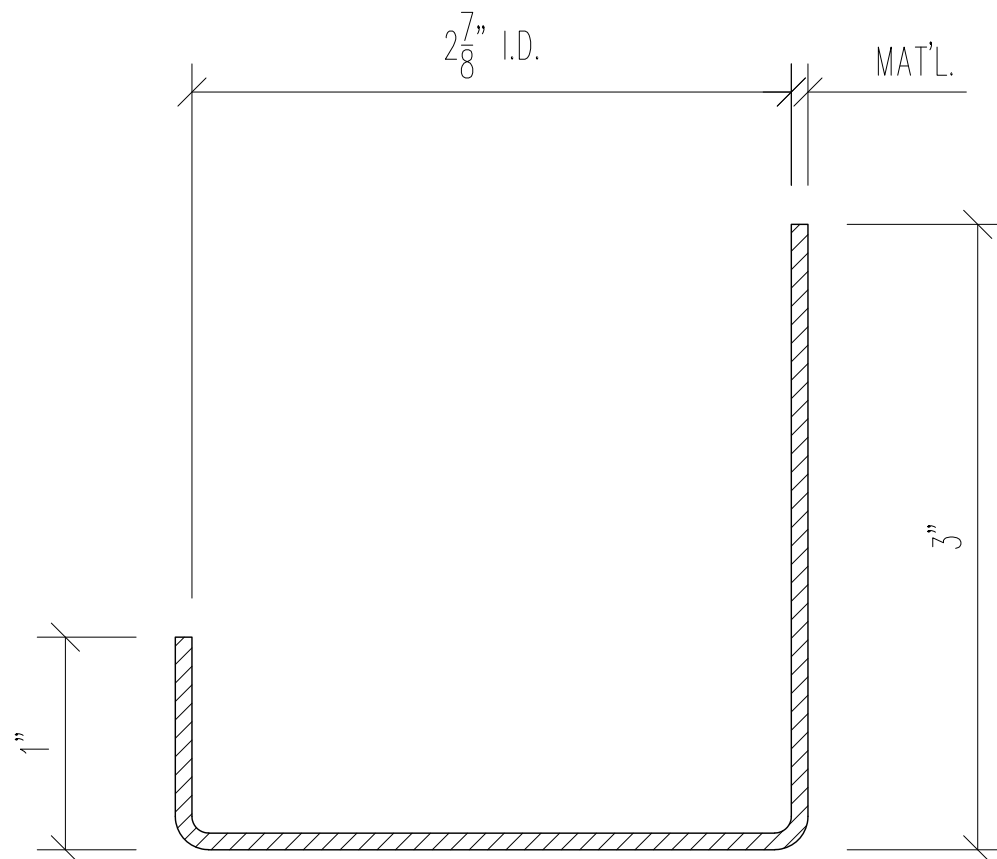


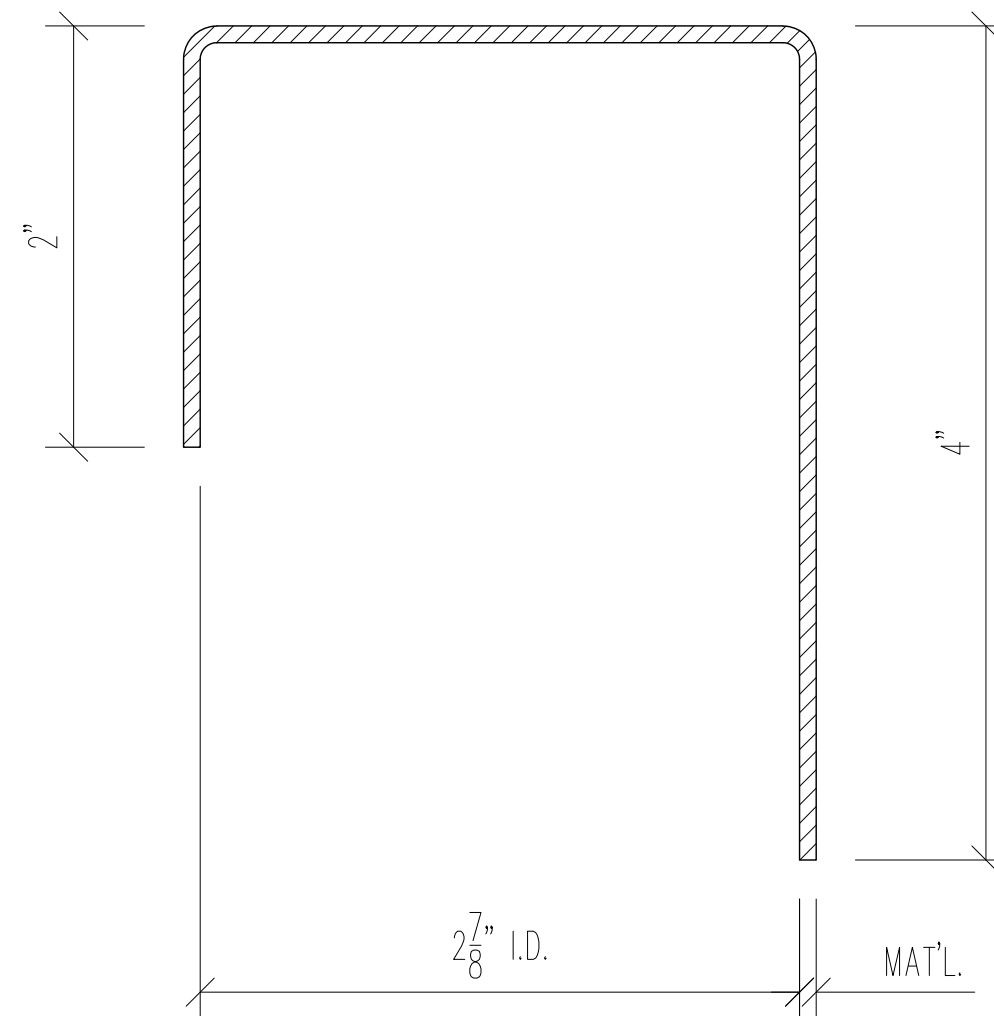
**BOTTOM 'J' CHANNEL**

QTY.	LENGTH



**TOP 'J' CHANNEL**

QTY.	LENGTH



**MATERIAL:**

- 18 GA. (.047") A-60 GALVANNEALED STEEL
- 18 GA. (.047") G-90 GALVANIZED STEEL
- 12 GA. (.105") A-60 GALVANNEALED STEEL
- 12 GA. (.105") G-90 GALVANIZED STEEL
- 16 GA. (.063") 3003-H14 ALUMINUM (MILL FINISH)

**FINISH:**

- UNFINISHED
- POWDER COATED, COLOR:            T.B.D.

**PROPRIETARY**  
 THIS DESIGN AND DRAWING IS THE EXCLUSIVE PROPERTY OF NOISE BARRIERS, LLC. AND IS SUBMITTED AS CONFIDENTIAL INFORMATION IN CONNECTION WITH YOUR INQUIRY. IT MUST NOT BE USED FOR ANY OTHER PURPOSES, NOR CAN IT BE COPIED OR LOANED WITHOUT WRITTEN PERMISSION. UPON REQUEST IT MUST BE RETURNED IMMEDIATELY.

REVISIONS	DESCRIPTION	DATE	BY

DESCRIPTION	DATE	BY	DESCRIPTION
<b>NB-II-V MOUNTING CHANNELS</b>			
CUSTOMER			
<b>NOISE BARRIERS</b>			
DRAWN BY	PROJ. MGR.	PROJECT NO.	
DATE	SHEET		
	3 OF X		

**NOISE BARRIERS**

401 AIRPORT DRIVE  
 NORTH AURORA, IL 60532  
 Phone: (847) 843-0500  
 Fax: (847) 843-0501

**QUIETPERF**

[www.noisebarriers.com](http://www.noisebarriers.com)