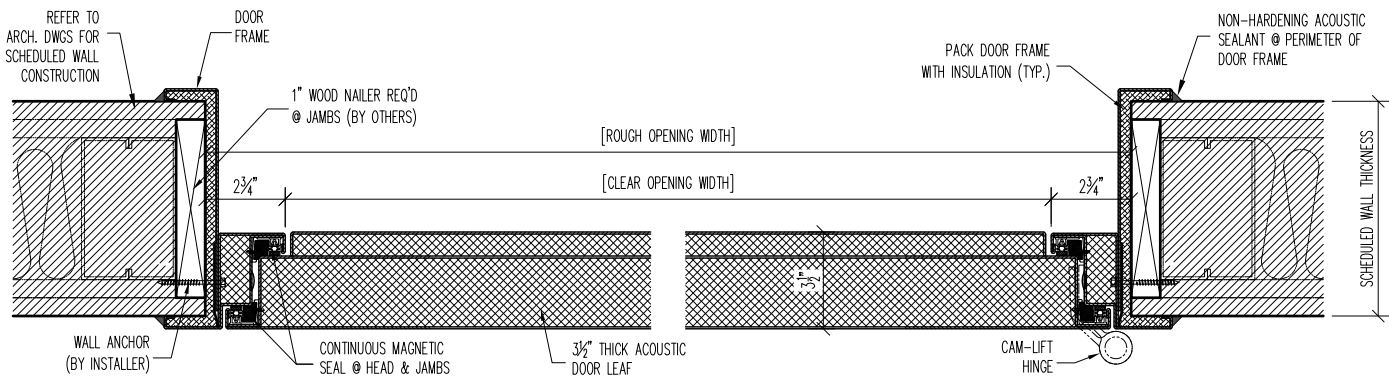
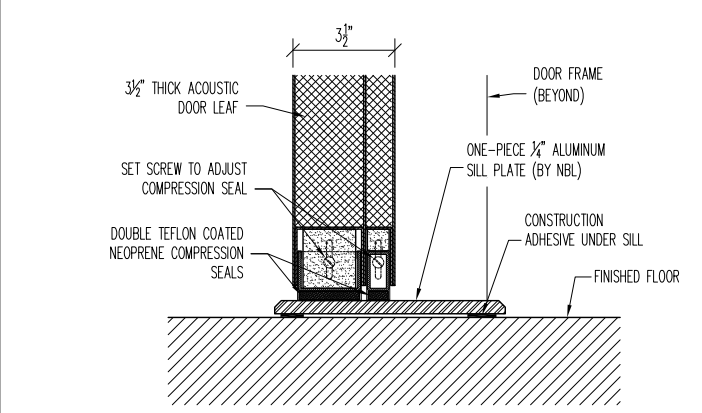
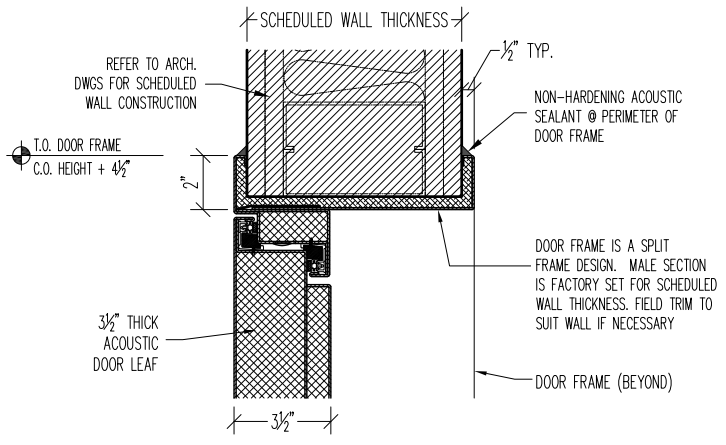


| AS SHOWN @ DOORS  |  |  |
|-------------------|--|--|
|                   |  |  |
|                   |  |  |
|                   |  |  |
|                   |  |  |
|                   |  |  |
| OPP. HAND @ DOORS |  |  |
|                   |  |  |
|                   |  |  |
|                   |  |  |
|                   |  |  |
|                   |  |  |



### 1 JAMB DETAIL



### 2 HEAD DETAIL

### 3 SILL DETAIL

**STC-56 SL-DOOR  
TYPICAL - TYPE 'A'  
INSTALL DETAILS**

|               |        |              |
|---------------|--------|--------------|
| PROJECT:      |        | TYPE:        |
| SUBMITTED BY: | DATE:  | ISSUE:       |
| APPROVED BY:  | DATE:  | PROJECT No.: |
| PROJ. MGR.    | SHEET: |              |

**NOISE BARRIERS**  
 401 AIRPORT DRIVE  
 NORTH AURORA, IL 60532  
 Phone: (847) 843-0500  
 Fax: (847) 843-0501  
 www.noisebarriers.com