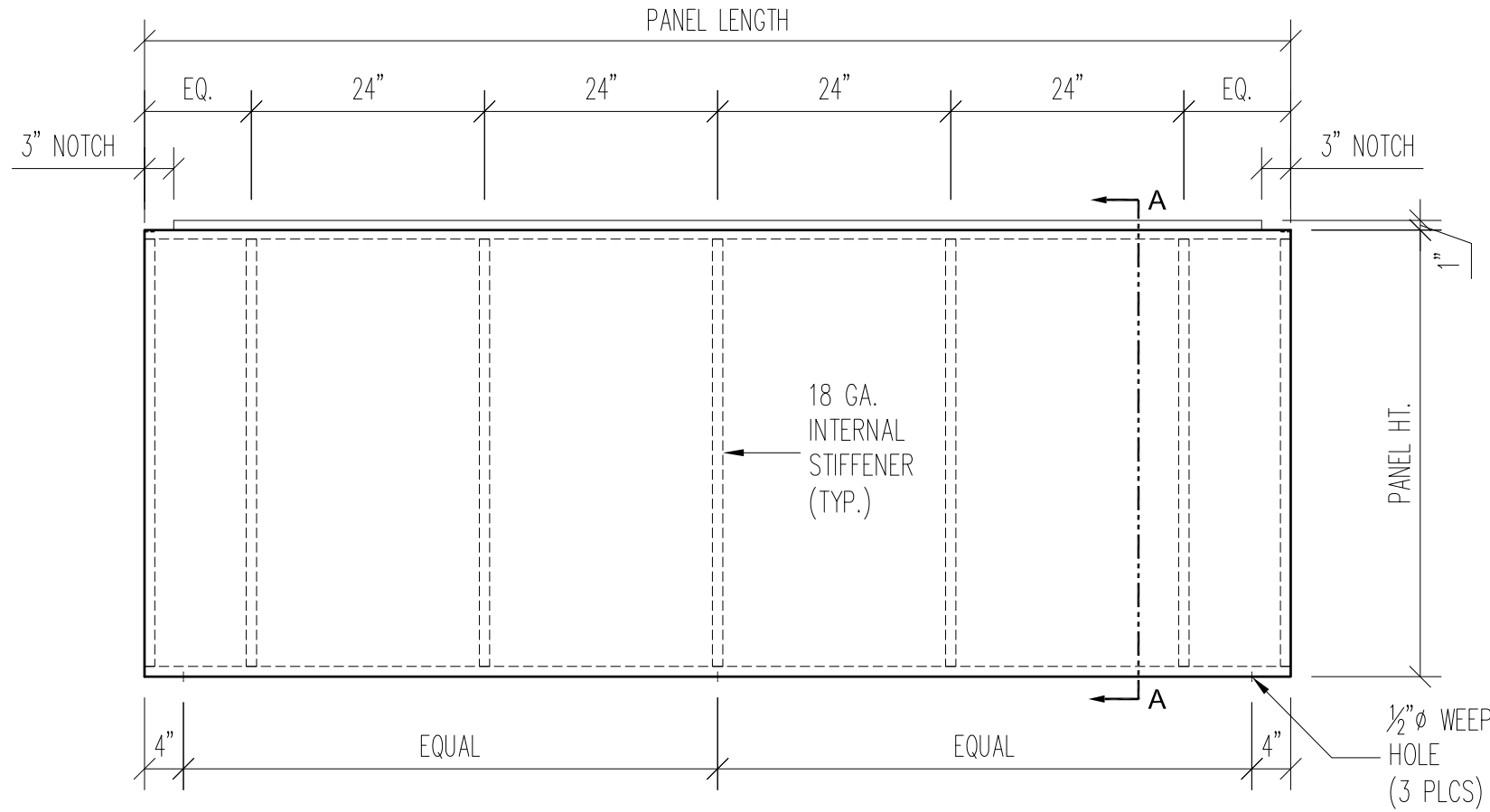
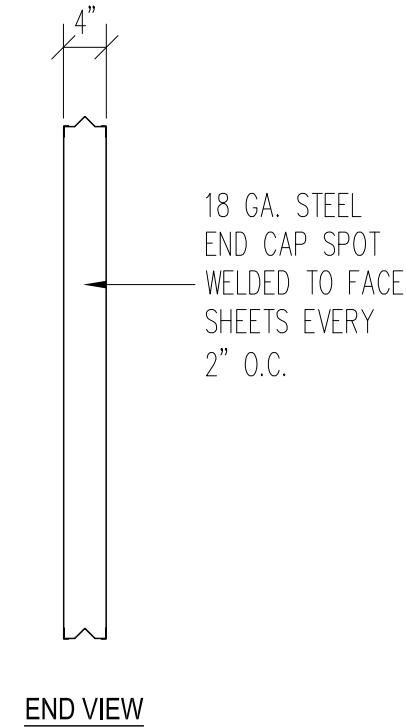


QUIETLINE 4" THICK V-STACK PANELS

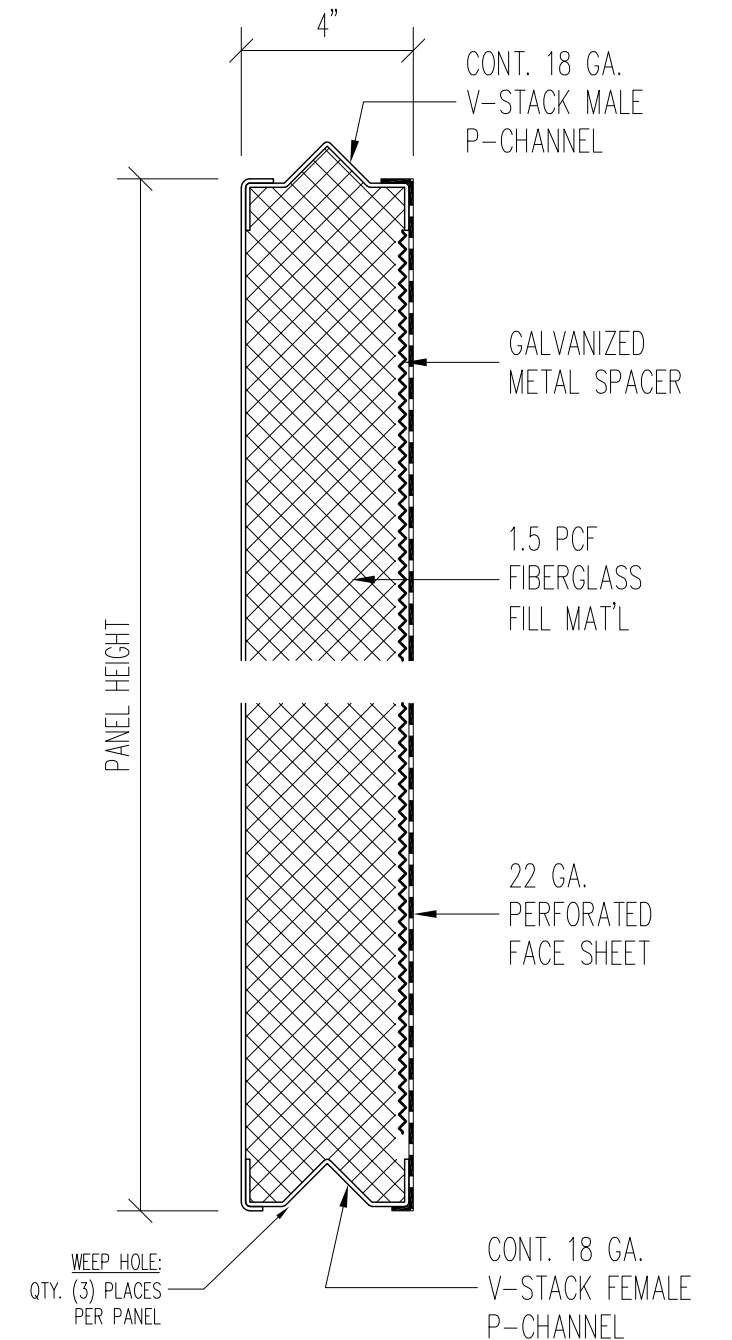
MAT'L: G-90 GALVANIZED / FINISH: POWDER-COAT [RAL-XXXX SATIN]



'V-STACK' BARRIER WALL PANEL
FRONT VIEW

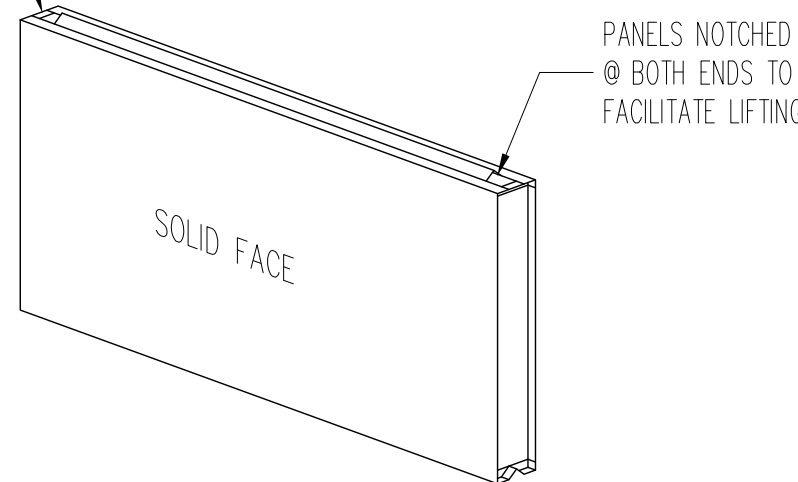


END VIEW



PANEL SECTION DETAIL

1" WIDE STEEL STRAP SPOT WELDED @ ENDS TO MAINTAIN PANEL STRUCTURE



4" THICK V-STACK BARRIER WALL PANEL			
PANEL MARK	QTY.	PANEL LENGTH	PANEL HEIGHT

TOLERANCES UNLESS OTHERWISE SPECIFIED, DIMENSIONS ARE IN INCHES TOLERANCES: FRACTIONAL: ± 1/16 ANGULAR: MACH ± .5° BEND ± .5° TWO PLACE DECIMAL ± 0.040 THREE PLACE DECIMAL ± 0.005	PROPRIETARY THIS DESIGN AND DRAWING IS THE EXCLUSIVE PROPERTY OF NOISE BARRIERS AND IS SUBMITTED AS CONFIDENTIAL INFORMATION IN CONNECTION WITH YOUR INQUIRY. IT MUST NOT BE USED FOR ANY OTHER PURPOSES, NOR CAN IT BE COPIED OR LOANED WITHOUT WRITTEN PERMISSION. UPON REQUEST IT MUST BE RETURNED IMMEDIATELY.	REVISIONS <table border="1"> <thead> <tr> <th>DESCRIPTION</th> <th>DATE</th> <th>BY</th> </tr> </thead> <tbody> <tr><td> </td><td> </td><td> </td></tr> <tr><td> </td><td> </td><td> </td></tr> <tr><td> </td><td> </td><td> </td></tr> <tr><td> </td><td> </td><td> </td></tr> <tr><td> </td><td> </td><td> </td></tr> <tr><td> </td><td> </td><td> </td></tr> </tbody> </table>	DESCRIPTION	DATE	BY																			DESCRIPTION QUIETLINE 4" THICK V-STACK PANELS		
			DESCRIPTION	DATE	BY																					
CUSTOMER			DRAWN BY	PROJ. MGR.	PROJECT NO.																					
DATE			SHEET BUILD-X	PROJECT NO.																						

NOISE BARRIERS
 401 AIRPORT DRIVE
 NORTH AURORA, IL 60532
 Phone: (847) 843-0500
 Fax: (847) 843-0501
 www.noisebarriers.com