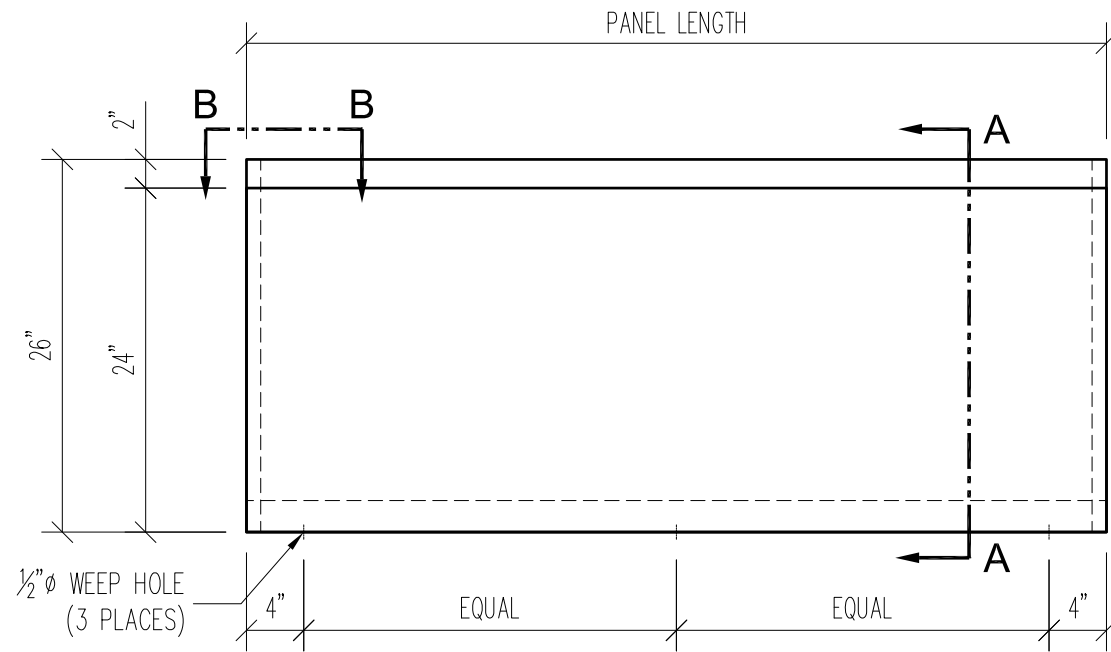
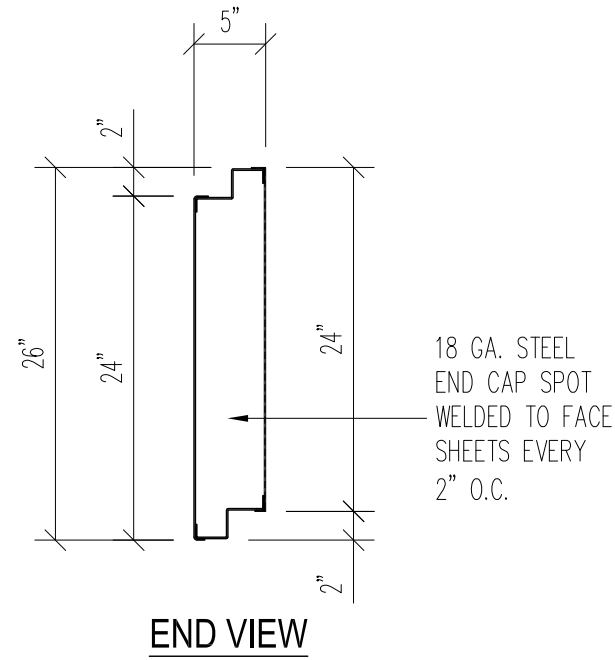


QUIETLINE 'SL' BARRIER WALL PANELS

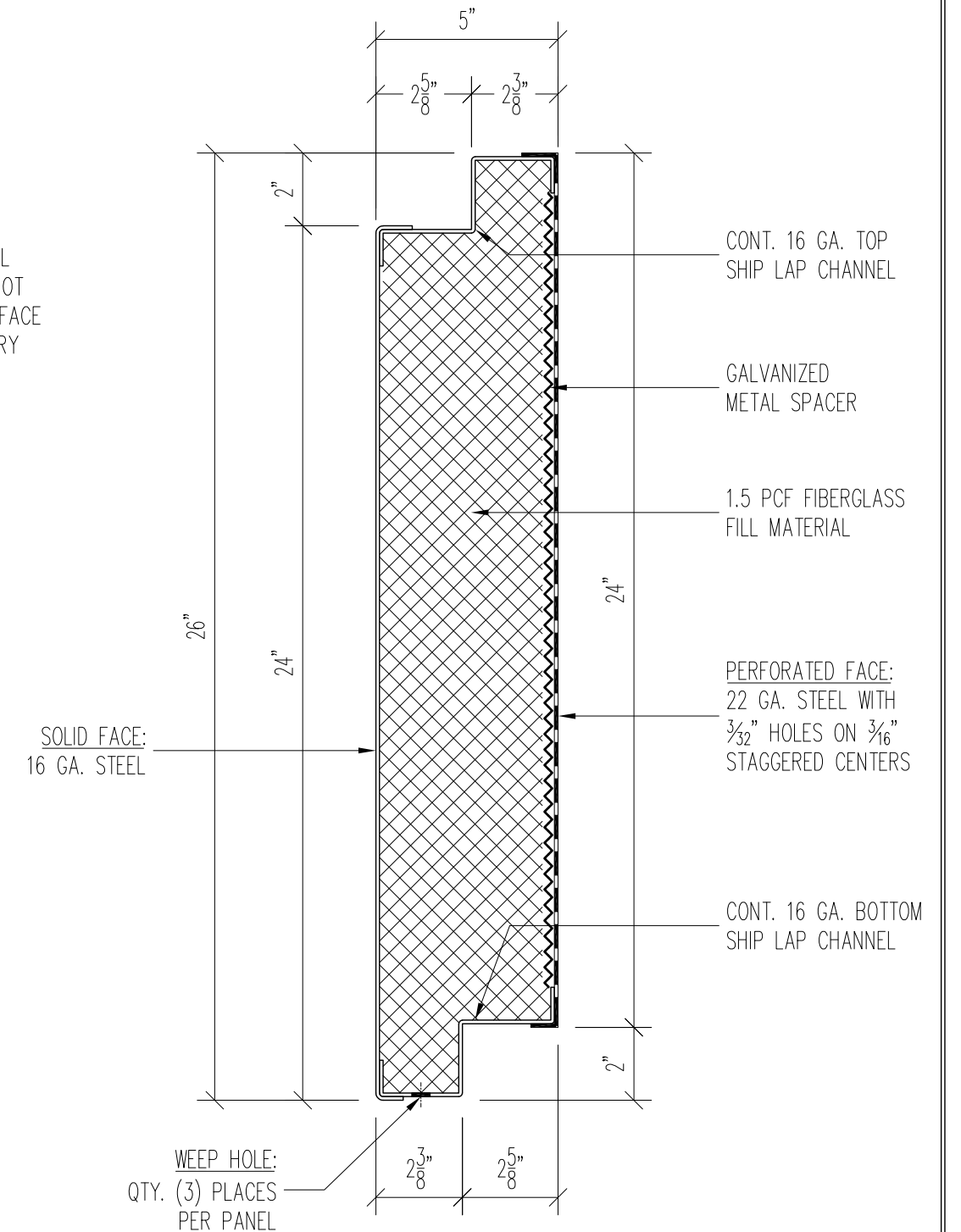
MAT'L: G-90 GALVANIZED / FINISH: POWDER-COAT [RAL-7040 SATIN]



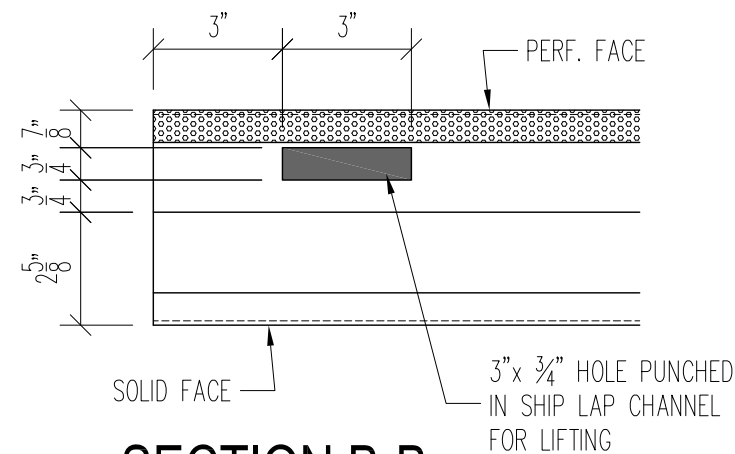
'SL' BARRIER WALL PANEL
FRONT VIEW



END VIEW



SECTION A-A



SECTION B-B
TYP. @ BOTH ENDS

QUIETLINE 'SL' BARRIER WALL PANELS			
PANEL MARK	QTY.	PANEL LENGTH	PANEL HEIGHT

TOLERANCES UNLESS OTHERWISE SPECIFIED, DIMENSIONS ARE IN INCHES TOLERANCES: FRACTIONAL: ± 1/16 ANGULAR: MACH ± .5° BEND ± .5° TWO PLACE DECIMAL ± 0.040 THREE PLACE DECIMAL ± 0.005	PROPRIETARY THIS DESIGN AND DRAWING IS THE EXCLUSIVE PROPERTY OF NOISE BARRIERS AND IS SUBMITTED AS CONFIDENTIAL INFORMATION IN CONNECTION WITH YOUR INQUIRY. IT MUST NOT BE USED FOR ANY OTHER PURPOSES, NOR CAN IT BE COPIED OR LOANED WITHOUT WRITTEN PERMISSION. UPON REQUEST IT MUST BE RETURNED IMMEDIATELY.	REVISIONS <table border="1"> <thead> <tr> <th>DESCRIPTION</th> <th>DATE</th> <th>BY</th> </tr> </thead> <tbody> <tr><td> </td><td> </td><td> </td></tr> <tr><td> </td><td> </td><td> </td></tr> <tr><td> </td><td> </td><td> </td></tr> <tr><td> </td><td> </td><td> </td></tr> <tr><td> </td><td> </td><td> </td></tr> <tr><td> </td><td> </td><td> </td></tr> <tr><td> </td><td> </td><td> </td></tr> </tbody> </table>	DESCRIPTION	DATE	BY																						DESCRIPTION QUIETLINE 'SL' BARRIER WALL PANELS			NOISE BARRIERS 401 AIRPORT DRIVE NORTH AURORA, IL 60532 Phone: (847) 843-0500 Fax: (847) 843-0501 www.noisebarriers.com
			DESCRIPTION	DATE	BY																									
CUSTOMER		DRAWN BY	PROJ. MGR.	PROJECT NO.																										
DATE		SHEET BUILD-X		PROJECT NO.																										