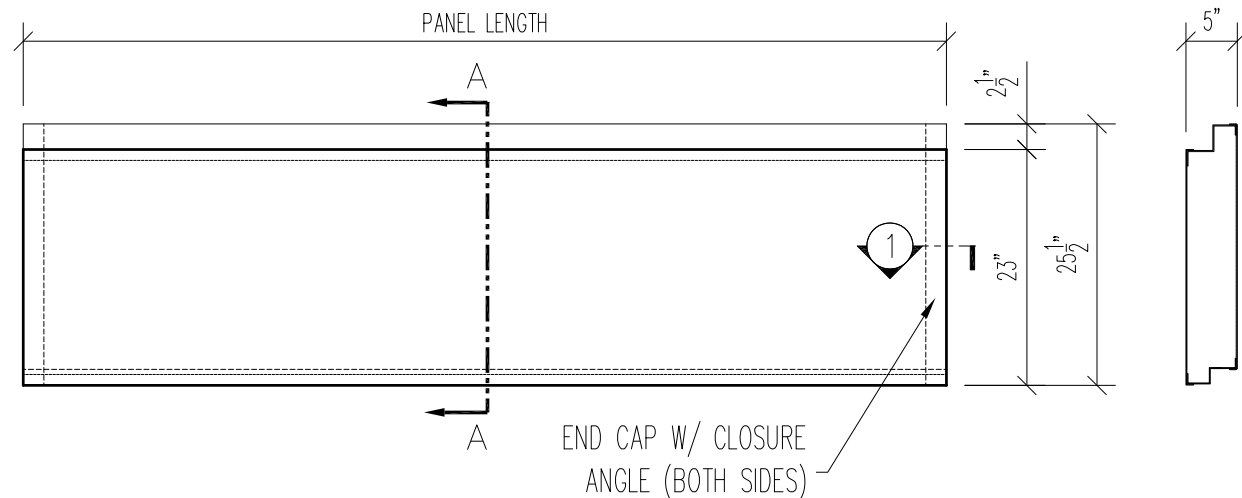


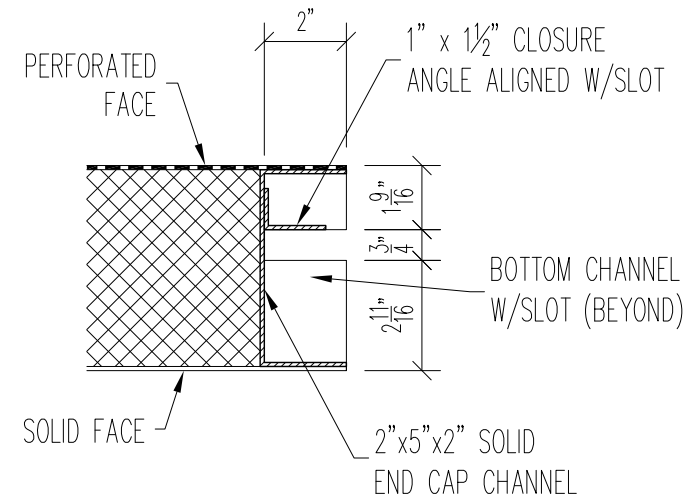
QUIETLINE 'SL-R' CONCEALER BARRIER WALL PANELS

MAT'L: G-90 GALVANIZED / FINISH: POWDER-COAT [RAL-XXXX SATIN]

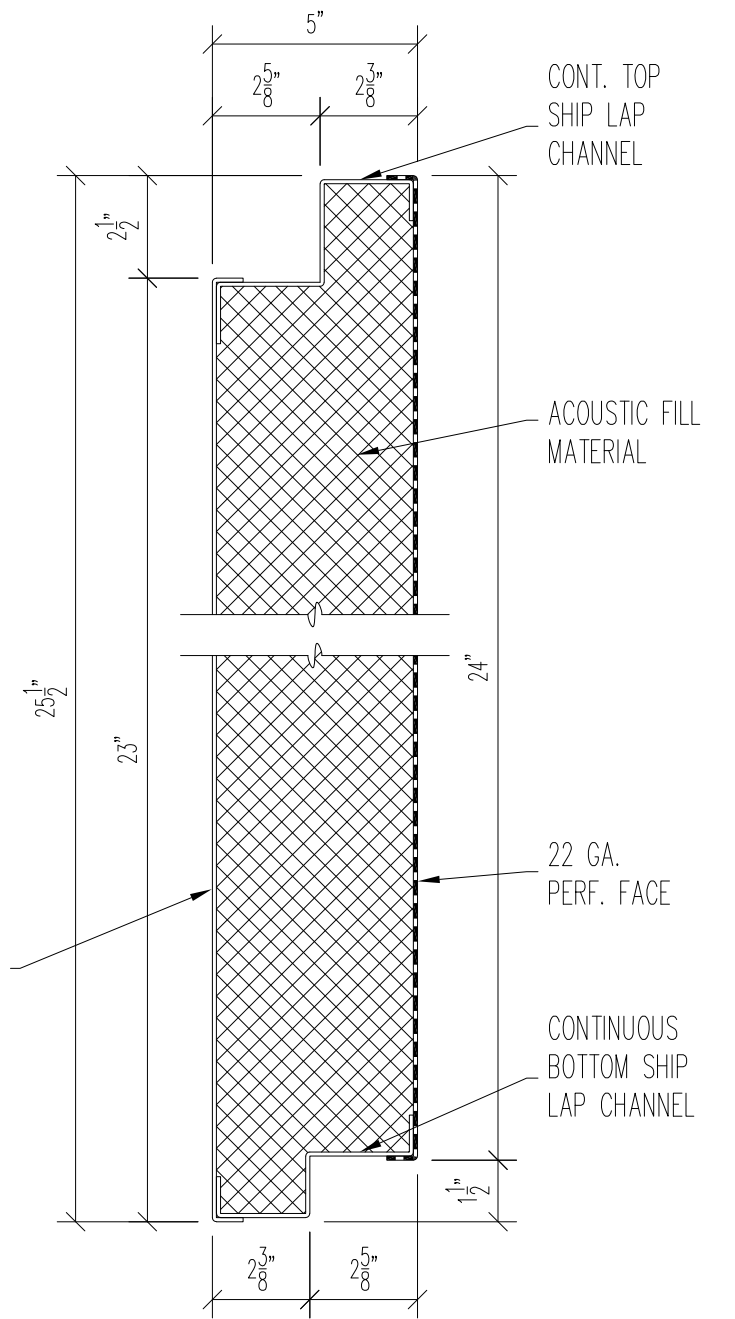


ACOUSTIC BARRIER WALL PANEL
FRONT ELEVATION

SIDE VIEW

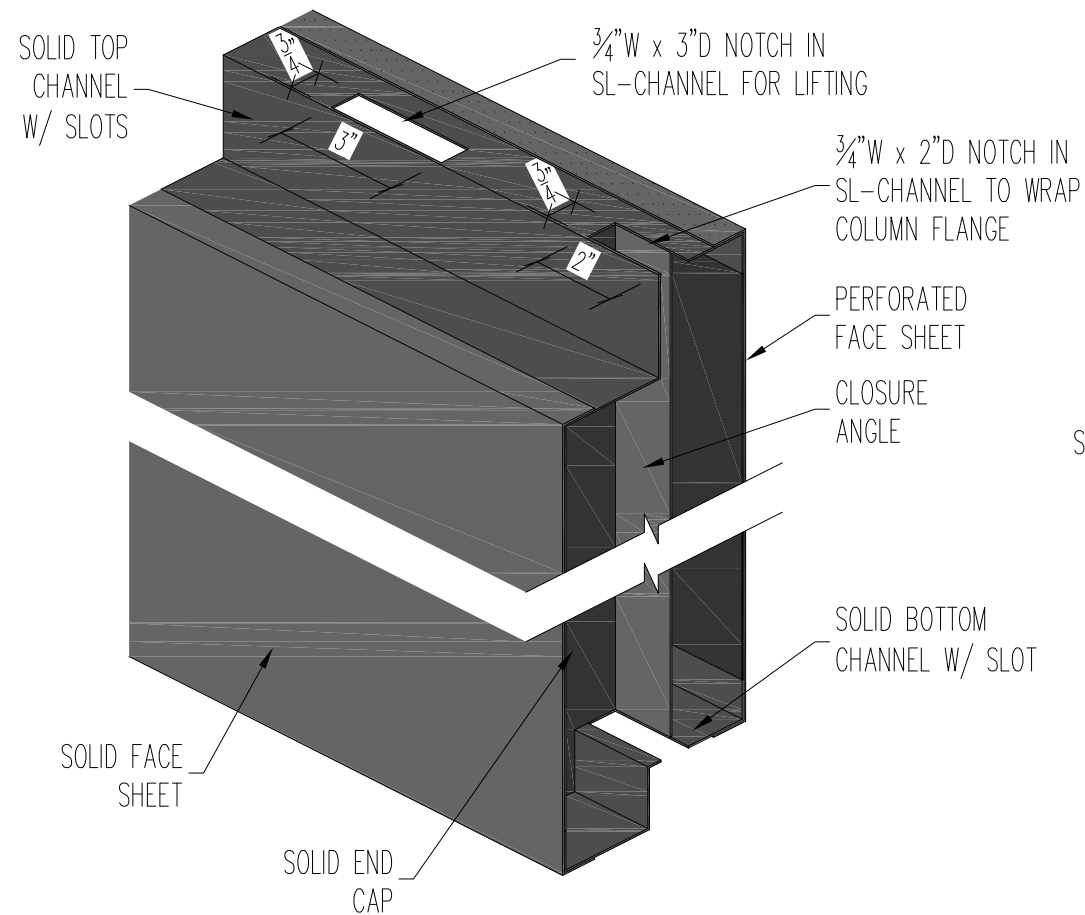


DETAIL 1



SECTION A-A

ALL SPOT WELDS TO BE CLEAN & CONSISTENTLY SPACED @ MAX 2" O.C.



QUIETLINE 'SL-R' BARRIER WALL PANELS			
PANEL MARK	QTY.	PANEL LENGTH	PANEL HEIGHT

TOLERANCES UNLESS OTHERWISE SPECIFIED, DIMENSIONS ARE IN INCHES TOLERANCES: FRACTIONAL ± 1/16 ANGULAR: MACH ± .5° BEND ± .5° TWO PLACE DECIMAL ± 0.040 THREE PLACE DECIMAL ± 0.005	PROPRIETARY THIS DESIGN AND DRAWING IS THE EXCLUSIVE PROPERTY OF NOISE BARRIERS AND IS SUBMITTED AS CONFIDENTIAL INFORMATION IN CONNECTION WITH YOUR INQUIRY. IT MUST NOT BE USED FOR ANY OTHER PURPOSES, NOR CAN IT BE COPIED OR LOANED WITHOUT WRITTEN PERMISSION. UPON REQUEST IT MUST BE RETURNED IMMEDIATELY.	REVISIONS .	DESCRIPTION: QUIETLINE 'SL-R' CONCEALER BARRIER WALL PANELS			NOISE BARRIERS 401 AIRPORT DRIVE NORTH AURORA, IL 60532 Phone: (847) 843-0500 Fax: (847) 843-0501 www.noisebarriers.com
			DESCRIPTION: CUSTOMER	DRAWN BY:	PROJ. MGR.:	
			DATE:	SHEET: BUILD-X		