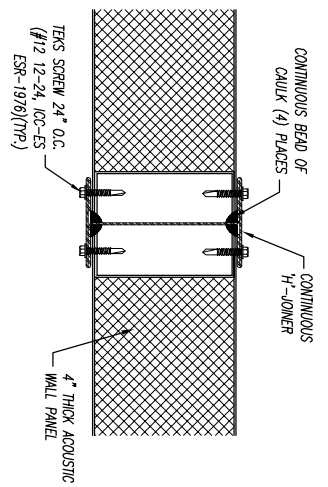
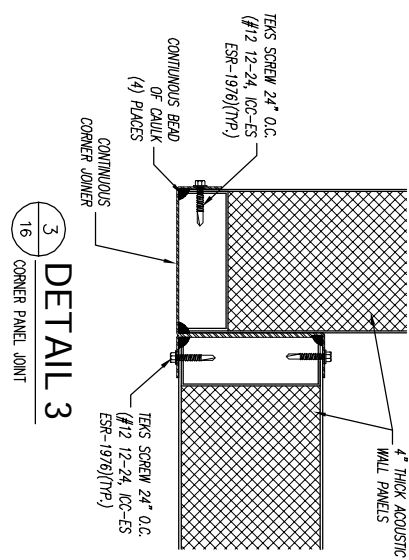


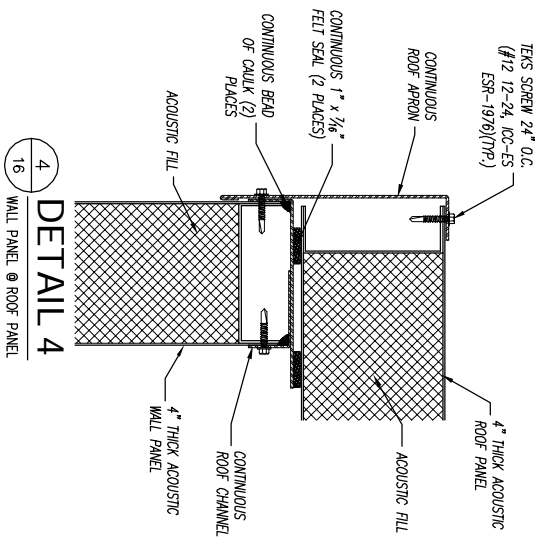
1
16
DETAIL 1
WALL PANEL @ FLOOR



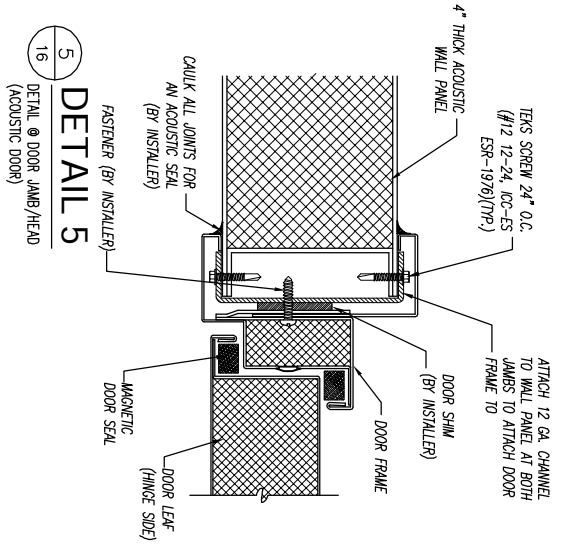
2
16
DETAIL 2
STRAIGHT PANEL JOINT



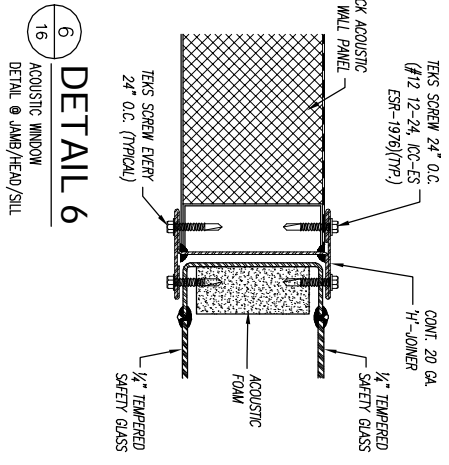
3
16
DETAIL 3
CORNER PANEL JOINT



4
16
DETAIL 4
WALL PANEL @ ROOF PANEL



5
16
DETAIL 5
DETAIL @ DOOR JAMB/HEAD
(ACOUSTIC DOOR)



6
16
DETAIL 6
ACOUSTIC WINDOW
DETAIL @ JAMB/HEAD/SILL

REVISIONS		DESCRIPTION	
DESCRIPTION	DATE	BY	DATE

CUSTOMER		DRAWING NO.	
DRAWN BY MAH		JOINERS-2	
SCALE	SHEET		

TYPICAL INSTALLATION DETAILS			
2001 Kelley Court, Libertyville, IL 60048 Phone: 847-843-0500 Fax: 847-843-0501 www.noisebarriers.com			