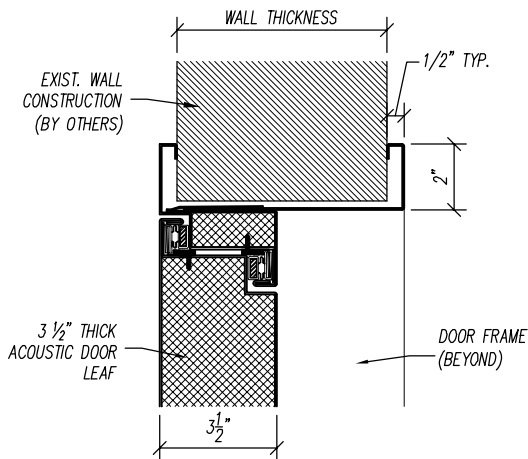
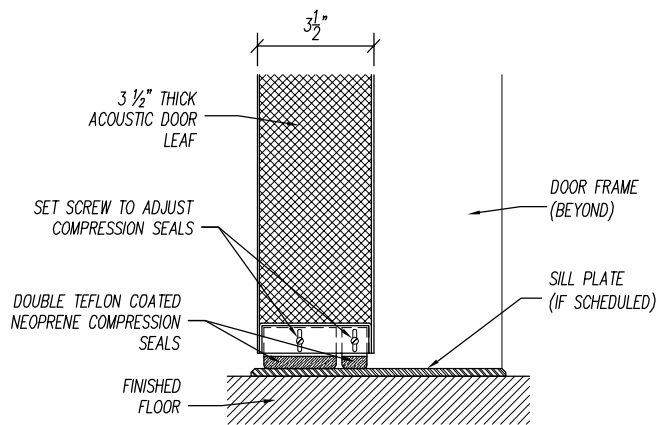


JAMB DETAIL



HEAD DETAIL



SILL DETAIL

STC-52 DL-DOOR  
 INSTALLATION  
 OPTION: A

PROJECT:		TYPE:	
SUBMITTED BY:	DATE:	ISSUE:	
APPROVED BY:	DATE:	DRAWING No.:	
SHEET:			

**Noise Barriers, LLC**  
 2001 Kelley Court  
 Libertyville, IL 60048  
 Phone: 847-843-0500  
 Fax: 847-843-0501  
 www.noisebarriers.com