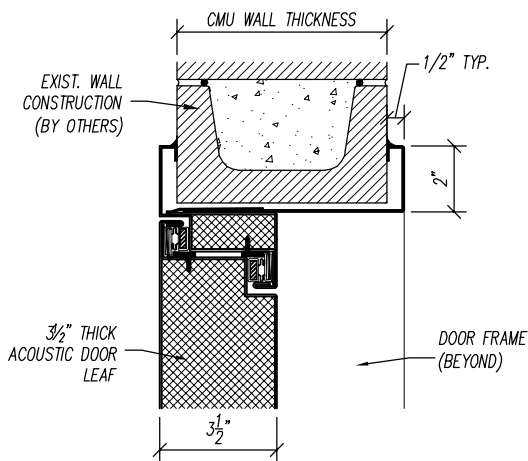
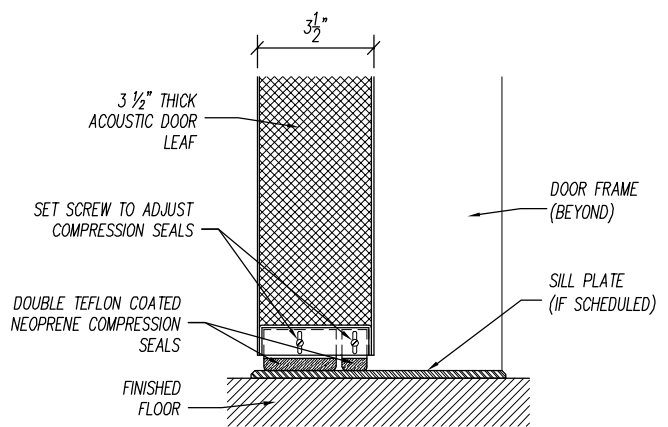


**JAMB DETAIL**



**HEAD DETAIL**



**SILL DETAIL**

STC-52 DL-DOOR  
 INSTALLATION OPTION: A  
 DETAIL @ CMU  
 BLOCK WALL

PROJECT:		TYPE:	
SUBMITTED BY:	DATE:	ISSUE:	
APPROVED BY:	DATE:	DRAWING No.:	
SHEET:			

**Noise Barriers, LLC**  
 1207 Remington Rd., Suite E  
 Schaumburg, IL 60173  
 Phone: (847) 843-0500  
 Fax: (847) 843-0501  
 www.noisebarriers.com