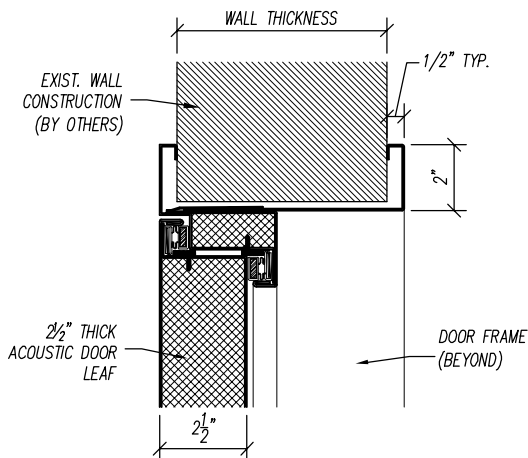
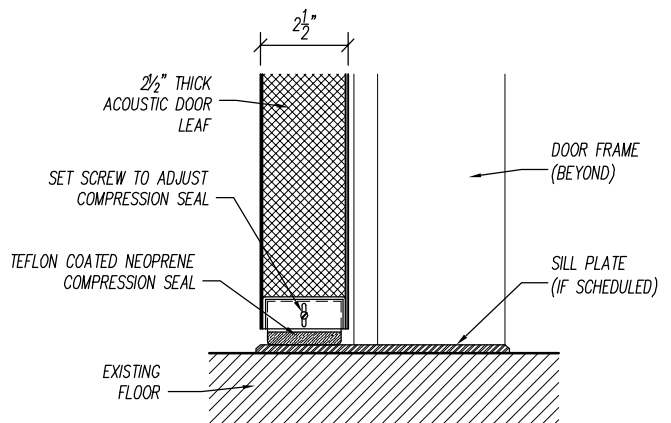


JAMB DETAIL



HEAD DETAIL



SILL DETAIL

STC-48 DL-DOOR
 INSTALLATION
 OPTION: A

PROJECT:		TYPE:
SUBMITTED BY:	DATE:	ISSUE:
APPROVED BY:	DATE:	DRAWING No.:
SHEET:		

Noise Barriers, LLC
 1207 Remington Rd., Suite E
 Schaumburg, IL 60173
 Phone: (847) 843-0500
 Fax: (847) 843-0501
 www.noisebarriers.com