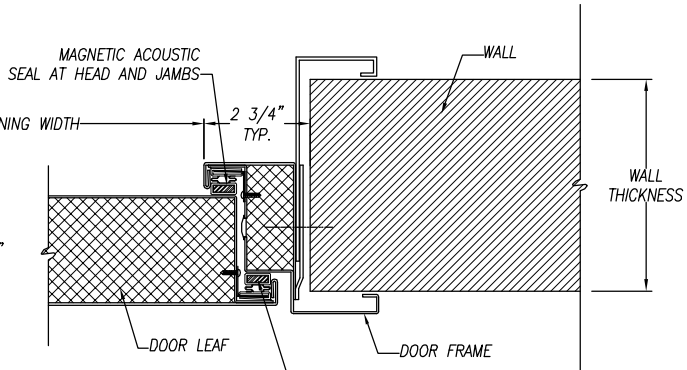
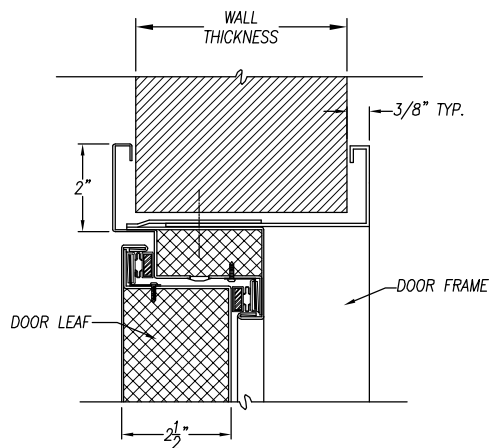


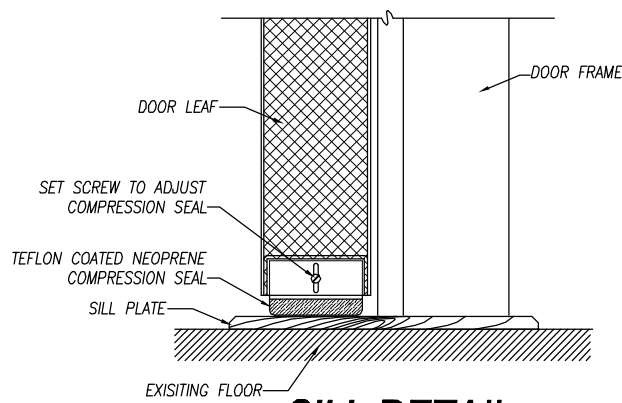
JAMB DETAIL



MAGNETIC ACOUSTIC SEAL AT HEAD AND JAMBS



HEAD DETAIL



SILL DETAIL

**INSTALLATION
OPTION: A**

PROJECT:		TYPE:
SUBMITTED BY:	DATE:	ISSUE:
APPROVED BY:	DATE:	DRAWING No.:
SHEET:		

Noise Barriers, LLC
 2001 Kelley Court
 Libertyville, IL 60048
 Phone: 847-843-0500
 Fax: 847-843-0501
 www.noisebarriers.com