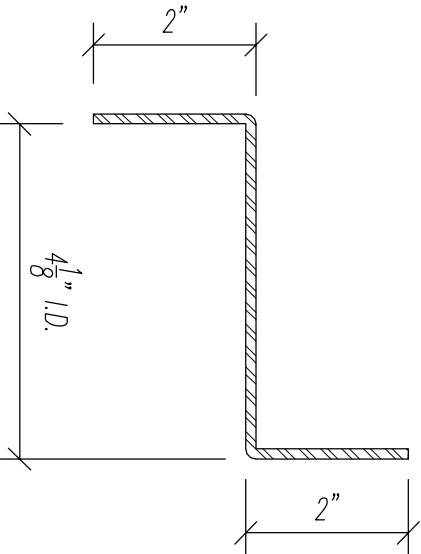


**18 GA. BOT. 'J' CHANNEL**

QTY. ( ) @ 120" LONG



**18 GA. TOP 'Z' CHANNEL**

QTY. ( ) @ 120" LONG

SIZE: SEE PROFILE x 120" LONG

MAT'L:  G-90 GALVANIZED  A-60 GALVANNEAL

FINISH:  UNFINISHED  POWDER COATED,  
COLOR: \_\_\_\_\_

QUANTITY: \_\_\_\_\_

REVISIONS		DESCRIPTION		PROJECT		DRAWING NO.	
DESCRIPTION	DATE	BY		PROJECT	SCALE	DRAWING NO.	
				NB-IV TOP & BOT. MOUNTING CHANNELS <td> </td> <td>NB-IV-3</td> <td> </td>		NB-IV-3	

**Noise Barriers, LLC**  
 2001 Kelley Court, Libertyville, IL 60048  
 Phone: 847-843-0500  
 Fax: 847-843-0501  
 www.noisebarriers.com