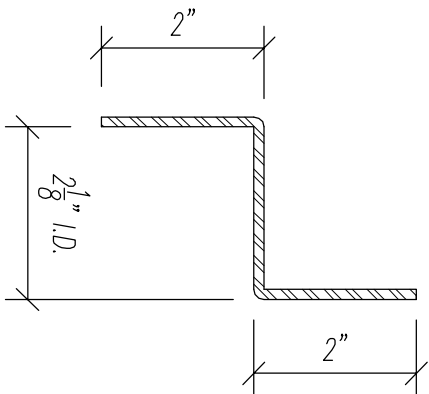


18 GA. BOT. 'J' CHANNEL

QTY. () @ 120" LONG



18 GA. TOP 'Z' CHANNEL

QTY. () @ 120" LONG

SIZE: SEE PROFILE x 120" LONG

MAT'L: G-90 GALVANIZED A-60 GALVANNEAL

FINISH: UNFINISHED POWDER COATED,
COLOR: _____

QUANTITY: _____

REVISIONS		DESCRIPTION		PROJECT		DRAWING NO.	
DESCRIPTION	DATE	BY		PROJECT	DATE	SCALE	DRAWING NO.
				NB-II-B TOP & BOT. MOUNTING CHANNELS			NB-II-B-3


Noise Barriers, LLC
 2001 Kelley Court, Libertyville, IL 60048
 Phone: 847-843-0500
 Fax: 847-843-0501
 www.noisebarriers.com